



inspired

Bringing the warmth
and brilliance of natural
sunlight into your lighting
applications



MKS™ was established with a vision to provide the lighting industry with innovative custom illumination that bridges technology and the creation of meaningful, life-enhancing solutions. With a passion for transforming spaces with light, our team brings together art, science and the latest in LED technology. Our team of experienced staff uses state of the art equipment, ensuring your products are spec grade quality.

Our state of the art machinery includes a goniophotometer, basic photometric with visible and UV and integrating spheres. Our high tech software includes 3d solid-works design and Autocad. With both our machinery and software, we have the capability for designing and fabrication of electronic drivers, LED light engines, injection molding, die casting, and metalwork - fabrication assembling and housing. Our team of lighting engineers can design any spec grade lighting solution. Our goal is to bring your vision into fruition with a product that will illuminate and enhance the environment being shaped.






info@MKSLED.com

Tel: 212.590.0131

104 Halleck St., Brooklyn, NY 11231

MKSLED.com

Downlights


<p>12-17</p>  <p>New Construction Downlights</p>	<p>18-23</p>  <p>Remodel Downlights</p>	<p>24-25</p>  <p>Trims</p>
<p>26-31</p>  <p>All in One Downlights</p>	<p>32-41</p>  <p>Architectural Downlights</p>	



Designer Series

<p>42-55</p>  <p>Designer Downlights</p>	
---	--

Contemporary Series

<p>56-65</p>  <p>Contemporary Downlights</p>	
---	--

Multi-head Series

<p>66-79</p>  <p>Multi-head Downlights</p>	
--	--



Linear Lights



Cylinders



Track Lights







Downlights

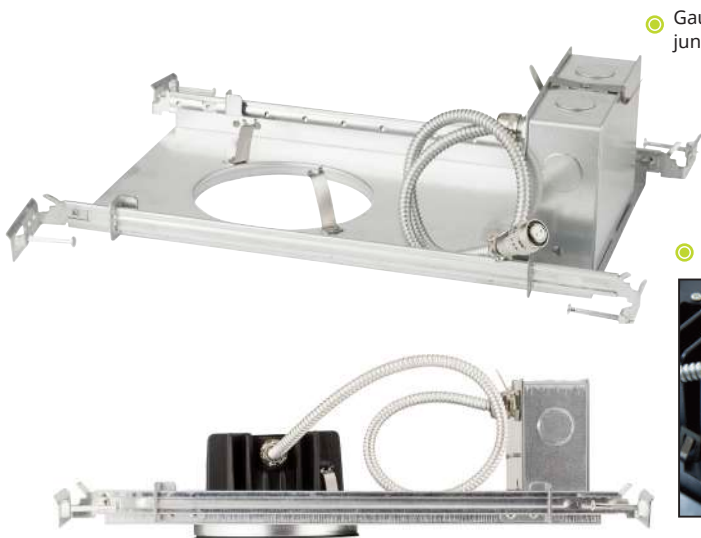
Quality Built



Nichia Chip

Delivers superior quality light

MKS is committed to delivering quality products to our customers. Therefore, MKS products are built using industry-leading components such as Nichia chip. We provide a minimum of 3 step color control for all MKS products



● Gauge steel junction box

● Quick connector



ERP
POWER™

Superior Driver

Simple and easy to replace

The ERP driver is one of the most revolutionary in the industry. This tri-mode dimming driver offers 0-10v, TRIAC and ELV dimming all from one single compact package.



The ERP tri-mode technology (0-10v, TRIAC & ELV) offers a large number of compatible dimmers.



Featuring a die cast body for superior heat sink dissipation, Our IC rated downlights allow for installation in insulated ceilings.



MKS Limited Warranty covers against component defects in materials and workmanship for a period of 5 years from the date of purchase.



The recessed LED downlights are well suited for a variety of recessed lighting applications. Its low profile and stylish design blends into most design applications.



An optional backup battery system is available upon request.



We offer ETL wet rated gasket trims for outdoor and shower applications.



Energy Star is a voluntary program launched by the U.S. Environmental Protection Agency and now managed by the EPA and the U.S. Department of Energy that helps businesses and individuals save money and protect the environment through superior energy efficiency.

 Gauge steel junction box



New Construction

Our new construction LED downlights are suited for a variety of recessed lighting applications including dry, damp and wet/shower rated uses. These IC rated, low profile units are comprised of brand name components including Nichia and Cree.



Page 12 - 19



Remodel

Our remodel LED downlights are designed with spec grade qualifications but offered at an aggressive selling price. They are designed to be installed in existing sheetrock or drop ceiling so that your space can be upgraded to the latest in LED technology.

Page 20 - 25

Trims

The MKS LED downlight trims are built using aluminum die-cast, PMMA diffused acrylic and a brilliantly polished reflector that allows for even light distribution without sacrificing output and performance.



Page 26 - 29





ideal
for a
broad range
of applications

Application areas:

Retail shops, galleries, hotels,
residential, and hospitality





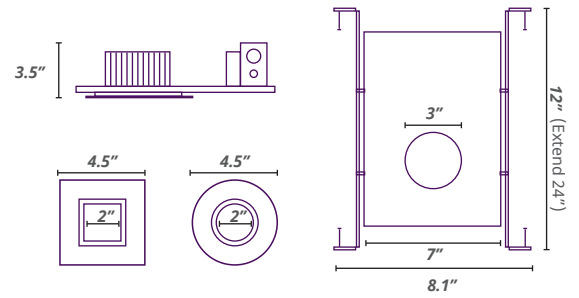
Downlights



New Construction

MKS Downlights

New Construction Series



Round | Square
 Compatible with 3" round and square trims
 See page 28-29

Trim sold separately

Nichia Chip

15 Watts | 904 Lumens

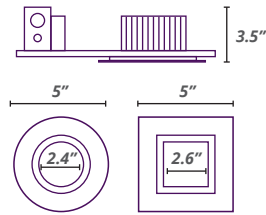
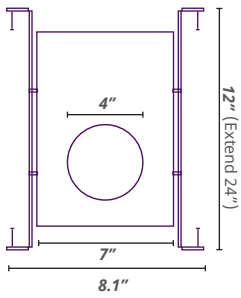
Features:

- A body made of die-cast aluminum allows passive cooling through heat dissipation
- Nichia LED chip with 40,000 hours life span
- Multiple colored round and square trim options
- 90+ CRI available
- Lower and higher lumen packages available upon request (up to 1,200 Lumens)

Item#	Description	Watt	Lumen	Color Temp	Volt	Dimming	CRI	Trim
89340-MKS	MKS/NDL/3NT/27K	15W	879+-	2700K	120-277	Phase & 0-10V	80	Not included
89341-MKS	MKS/NDL/3NT/30K	15W	887+-	3000K	120-277	Phase & 0-10V	80	Not included
89342-MKS	MKS/NDL/3NT/35K	15W	893+-	3500K	120-277	Phase & 0-10V	80	Not included
89343-MKS	MKS/NDL/3NT/40K	15W	898+-	4000K	120-277	Phase & 0-10V	80	Not included
89344-MKS	MKS/NDL/3NT/50K	15W	904+-	5000K	120-277	Phase & 0-10V	80	Not included



Please contact us for part numbers, pricing, and availability.



Round | Square

Compatible with 4" round and square trims
See page 28-29

Nichia Chip

21 Watts | 1441 Lumens

Features:

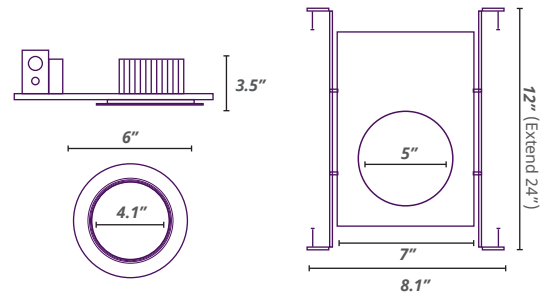
- A body made of die-cast aluminum allows passive cooling through heat dissipation
- Nichia LED chip with 40,000 hours life span
- Multiple colored round and square trim options
- 90+ CRI available
- Lower and higher lumen packages available upon request (up to 2,000 Lumens)

Item#	Description	Watt	Lumen	Color Temp	Volt	Dimming	CRI	Trim
89052-MKS	MKS/NDL/4NT/27K	21W	1419+-	2700K	120-277	Phase & 0-10V	80	Not included
89077-MKS	MKS/NDL/4NT/30K	21W	1424+-	3000K	120-277	Phase & 0-10V	80	Not included
89128-MKS	MKS/NDL/4NT/35K	21W	1429+-	3500K	120-277	Phase & 0-10V	80	Not included
89054-MKS	MKS/NDL/4NT/40K	21W	1435+-	4000K	120-277	Phase & 0-10V	80	Not included
89075-MKS	MKS/NDL/4NT/50K	21W	1441+-	5000K	120-277	Phase & 0-10V	80	Not included



Please contact us for part numbers, pricing, and availability.

MKS Downlights
New Construction Series



Round
5" round trims included
See page 28-29 for replacements

Trim Included

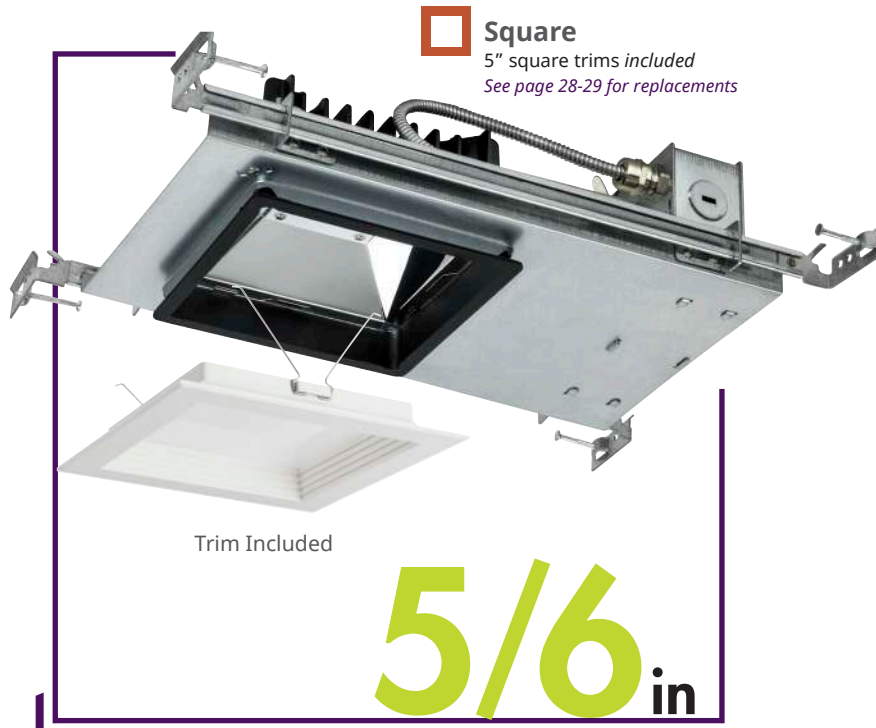
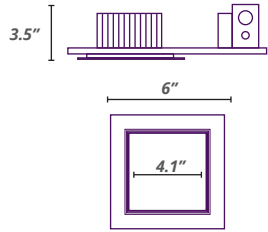
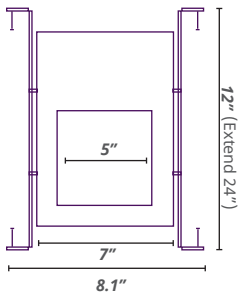
5/6 in

Nichia Chip 25 Watts | 1778 Lumens

Features:

- A body made of die-cast aluminum allows passive cooling through heat dissipation
- Nichia LED chip with 40,000 hours life span
- Round trim included with fixture

Item#	Description	Watt	Lumen	Color Temp	Volt	Dimming	CRI	Trim
89061-MKS	MKS/NDL/5R/27K	25W	1755+-	2700K	120-277	Phase & 0-10V	80	Included
89050-MKS	MKS/NDL/5R/30K	25W	1764+-	3000K	120-277	Phase & 0-10V	80	Included
89066-MKS	MKS/NDL/5R/35K	25W	1769+-	3500K	120-277	Phase & 0-10V	80	Included
89110-MKS	MKS/NDL/5R/40K	25W	1773+-	4000K	120-277	Phase & 0-10V	80	Included
89051-MKS	MKS/NDL/5R/50K	25W	1778+-	5000K	120-277	Phase & 0-10V	80	Included



Square
5" square trims included
See page 28-29 for replacements

Trim Included

5/6 in

Nichia Chip

25 Watts | 1778 Lumens

Features:

- A body made of die-cast aluminum allows passive cooling through heat dissipation
- Nichia LED chip with 40,000 hours life span
- Square trim included with fixture

Item#	Description	Watt	Lumen	Color Temp	Volt	Dimming	CRI	Trim
89115-MKS	MKS/NDL/5S/27K	25W	1755+-	2700K	120-277	Phase & 0-10V	80	Included
89055-MKS	MKS/NDL/5S/30K	25W	1764+-	3000K	120-277	Phase & 0-10V	80	Included
89058-MKS	MKS/NDL/5S/35K	25W	1769+-	3500K	120-277	Phase & 0-10V	80	Included
89116-MKS	MKS/NDL/5S/40K	25W	1773+-	4000K	120-277	Phase & 0-10V	80	Included
89056-MKS	MKS/NDL/5S/50K	25W	1778+-	5000K	120-277	Phase & 0-10V	80	Included





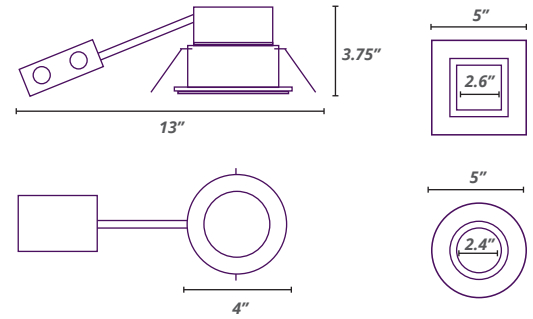
Downlights



Remodel

MKS Downlights

Remodel Series



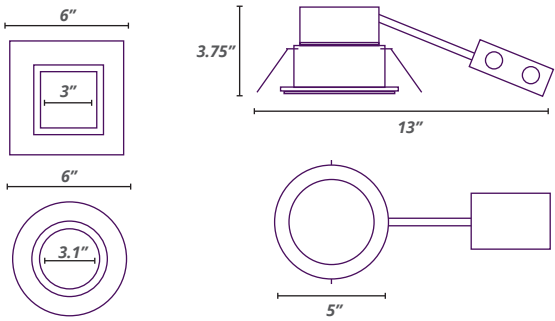
Features:

- A body made of die-cast aluminum allows passive cooling through heat dissipation
- Nichia LED chip with 40,000 hours life span
- Multiple colored round and square trim options
- 90+ CRI available
- Lower and higher lumen packages available upon request (up to 2,000 Lumens)

Item#	Description	Watt	Lumen	Color Temp	Volt	Dimming	CRI	Trim
89049-MKS	MKS/RDL/4NT/27K	21W	1419+-	2700K	120-277	Phase & 0-10V	80	Not included
89086-MKS	MKS/RDL/4NT/30K	21W	1424+-	3000K	120-277	Phase & 0-10V	80	Not included
89074-MKS	MKS/RDL/4NT/35K	21W	1429+-	3500K	120-277	Phase & 0-10V	80	Not included
89144-MKS	MKS/RDL/4NT/40K	21W	1435+-	4000K	120-277	Phase & 0-10V	80	Not included
89033-MKS	MKS/RDL/4NT/50K	21W	1441+-	5000K	120-277	Phase & 0-10V	80	Not included



Please contact us for part numbers, pricing, and availability.



Round | Square

Compatible with 5" round and square trims
See page 28-29



Trim sold separately

5/6 in

Nichia Chip

22 Watts | 1438 Lumens

Features:

- A body made of die-cast aluminum allows passive cooling through heat dissipation
- Nichia LED chip with 40,000 hours life span
- Multiple colored round and square trim options
- 90+ CRI available
- Lower and higher lumen packages available upon request (up to 2,000 Lumens)

Item#	Description	Watt	Lumen	Color Temp	Volt	Dimming	CRI	Trim
89092-MKS	MKS/RDL/5NT/27K	22W	1390+-	2700K	120-277	Phase & 0-10V	80	Not included
89087-MKS	MKS/RDL/5NT/30K	22W	1400+-	3000K	120-277	Phase & 0-10V	80	Not included
89093-MKS	MKS/RDL/5NT/35K	22W	1418+-	3500K	120-277	Phase & 0-10V	80	Not included
89031-MKS	MKS/RDL/5NT/40K	22W	1428+-	4000K	120-277	Phase & 0-10V	80	Not included
89036-MKS	MKS/RDL/5NT/50K	22W	1438+-	5000K	120-277	Phase & 0-10V	80	Not included



Please contact us for part numbers, pricing, and availability.





Downlights



Customized Stylish Design

Personalize your selection by selecting the shape, size, and color that best suits your specifications. Choose from 3", 4", 5" or 6" sizes in square or round designs. Trims are available in black, white, brushed nickel, copper bronze, or a custom finish to complement any color scheme. Suitable for upscale residential and commercial applications, it brings out the true beauty of the room — a perfect solution for ambient and accent lighting.

Trims

MKS Downlight Trims

Round



Size	Item#	Description	Finish	Wet Rated Item#	Feature
3"	88490-MKS	MKS/DLT/3R/WH	White	88505-MKS	-
	88498-MKS	MKS/DLT/3R/BK	Black	88569-MKS	-
	88491-MKS	MKS/DLT/3R/BN	Brush Nickel	88567-MKS	-
	88492-MKS	MKS/DLT/3R/CB	Copper Bronze	88565-MKS	-
	88493-MKS	MKS/DLT/3RWW/WH	White	88493-MKS	Wall Wash
4"	88500-MKS	MKS/DLT/4R/WH	White	88502-MKS	-
	88538-MKS	MKS/DLT/4R/BK	Black	88539-MKS	-
	88503-MKS	MKS/DLT/4R/BN	Brush Nickel	88504-MKS	-
	88506-MKS	MKS/DLT/4R/CB	Copper Bronze	88507-MKS	-
	88600-MKS	MKS/DLT/4RWW/WH	White	88600-MKS	Wall Wash
5"	88523-MKS	MKS/DLT/5R/WH	White	88524-MKS	*
	88533-MKS	MKS/DLT/5R/BK	Black	88561-MKS	*
	88526-MKS	MKS/DLT/5R/BN	Brush Nickel	88518-MKS	*
	88527-MKS	MKS/DLT/5R/CB	Copper Bronze	88519-MKS	*
	88528-MKS	MKS/DLT/5R/NC/WH	White	-	**
6"	88540-MKS	MKS/DLT/6R/WH	White	88541-MKS	-
	88548-MKS	MKS/DLT/6R/BK	Black	88549-MKS	-
	88543-MKS	MKS/DLT/6R/BN	Brush Nickel	88544-MKS	-
	88546-MKS	MKS/DLT/6R/CB	Copper Bronze	88547-MKS	-
	88610-MKS	MKS/DLT/6RWW/WH	White	-	Wall Wash



* Please note that these trims only work with 5" remodel fixtures

** Please note that these trims are replacement trims for the new construction trims included with each 5" fixture



Wet Rated trims available for all models above. Please visit mksled.com

Downlight Trims

Square



Size	Item#	Description	Finish	Wet Rated Item #	Feature
3"	88495-MKS	MKS/DLT/3S/WH	White	88563-MKS	-
	88494-MKS	MKS/DLT/3S/BK	Black	88568-MKS	-
	88496-MKS	MKS/DLT/3S/BN	Brush Nickel	88566-MKS	-
	88497-MKS	MKS/DLT/3S/CB	Copper Bronze	88564-MKS	-
4"	88510-MKS	MKS/DLT/4S/WH	White	88511-MKS	-
	88537-MKS	MKS/DLT/4S/BK	Black	88536-MKS	-
	88513-MKS	MKS/DLT/4S/BN	Brush Nickel	88514-MKS	-
	88516-MKS	MKS/DLT/4S/CB	Copper Bronze	88517-MKS	-
5"	88520-MKS	MKS/DLT/5S/WH	White	88521-MKS	*
	88535-MKS	MKS/DLT/5S/BK	Black	88562-MKS	*
	88529-MKS	MKS/DLT/5S/BN	Brush Nickel	88522-MKS	*
	88530-MKS	MKS/DLT/5S/CB	Copper Bronze	88531-MKS	*
	88525-MKS	MKS/DLT/5S/NC/WH	White	-	**
6"	88550-MKS	MKS/DLT/6S/WH	White	88551-MKS	-
	88558-MKS	MKS/DLT/6S/BK	Black	88559-MKS	-
	88553-MKS	MKS/DLT/6S/BN	Brush Nickel	88554-MKS	-
	88556-MKS	MKS/DLT/6S/CB	Copper Bronze	88557-MKS	-

* Please note that these trims only work with 5" remodel fixtures

** Please note that these trims are replacement trims for the new construction trims included with each 5" fixture



Wet Rated trims available for all models above. Please visit mksled.com





Allie Downlights

Quality Built

**1500
LUMENS**



Nichia Chip

Delivers superior quality light

MKS is committed to delivering quality products to our customers. Therefore, MKS products are built using industry-leading components such as Nichia chip.



The ERP tri-mode technology (0-10v, TRIAC & ELV) offers a large number of compatible dimmers.



Featuring a die cast body for superior heat sink dissipation, Our IC rated downlights allow for installation in insulated ceilings.



MKS Limited Warranty covers against component defects in materials and workmanship for a period of 5 years from the date of purchase.



The recessed LED downlights are well suited for a variety of recessed lighting applications. Its low profile and stylish design blends into most design applications.



An optional backup battery system is available upon request.



Energy Star is a voluntary program launched by the U.S. Environmental Protection Agency and now managed by the EPA and the U.S. Department of Energy that helps businesses and individuals save money and protect the environment through superior energy efficiency.



Gauge steel junction box

ERP
POWER™

Superior Driver

Simple and easy to replace

The ERP driver is one of the most revolutionary in the industry. This tri-mode dimming driver offers 0-10v, TRIAC and ELV dimming all from one single compact package.



Tunable Color Temperature

3000K / 4000K / 5500K

The MKS ALLIE downlight was designed with the latest CCT technology. Adjust the ALLIE fixture to the color temperature of your choice (3000k, 4000k or 5500k).

Meet Allie

All in one downlight



3 Changeable Color Temperature Options

The days of stocking many products to accommodate various color temperature options are over. Meet Allie! The All In One Downlight that you can stock with 3 built-in color temperatures and multiple dimming options.

●
3000K

●
4000K

●
5500K

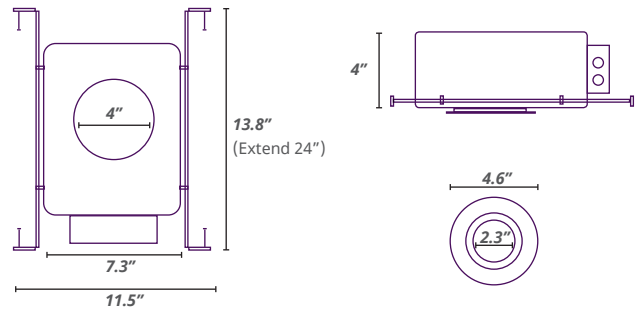


Application areas:

Multi-family residential, commercial and hospitality

MKS Downlights

Allie Series



Features:

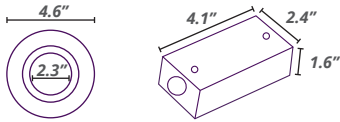
- A body made of die-cast aluminum allows passive cooling through heat dissipation
- Nichia LED chip with 50,000 hours life span
- Adjustable color temperature
- ERP Driver



Item#	Description	Watt	Lumen	Color Temp	Volt	Dimming	CRI
87713-MKS	MKS/NDL/ALLIE/4R/CCT	20W	1500+-	30K/40K/55K	120-277	Phase & 0-10V	80



Optional backup battery system available upon request



Features:

- A body made of die-cast aluminum allows passive cooling through heat dissipation
- Nichia LED chip with 50,000 hours life span
- Adjustable color temperature
- ERP Driver
- Durable Metal Clips

Item#	Description	Watt	Lumen	Color Temp	Volt	Dimming	CRI
87717-MKS	MKS/RDL/ALLIE/4R/CCT	20W	1500+-	30K/40K/55K	120-277	Phase & 0-10V	80





Architectural Downlights

Quality Built



Nichia Chip

Delivers superior quality light

MKS is committed to delivering quality products to our customers. Therefore, MKS products are built using industry-leading components such as Nichia chip.



Design Choices

Trim or trimless

The Architectural Series is offered in a round or square downlight, or a wall-wash version and with trim or trimless options.



Quick connector

Gauge steel junction box



ERP
POWER™

Superior Driver

Simple and easy to replace

The ERP driver is one of the most revolutionary in the industry. This tri-mode dimming driver offers 0-10v, TRIAC and ELV dimming all from one single compact package.



The ERP tri-mode technology (0-10v, TRIAC & ELV) offers a large number of compatible dimmers.



Featuring a die cast body for superior heat sink dissipation, Our IC rated downlights allow for installation in insulated ceilings.



MKS Limited Warranty covers against component defects in materials and workmanship for a period of 5 years from the date of purchase.



The recessed LED downlights are well suited for a variety of recessed lighting applications. Its low profile and stylish design blends into most design applications.



An optional backup battery system is available upon request.



Energy Star is a voluntary program launched by the U.S. Environmental Protection Agency and now managed by the EPA and the U.S. Department of Energy that helps businesses and individuals save money and protect the environment through superior energy efficiency.



Tilt Angle 30°

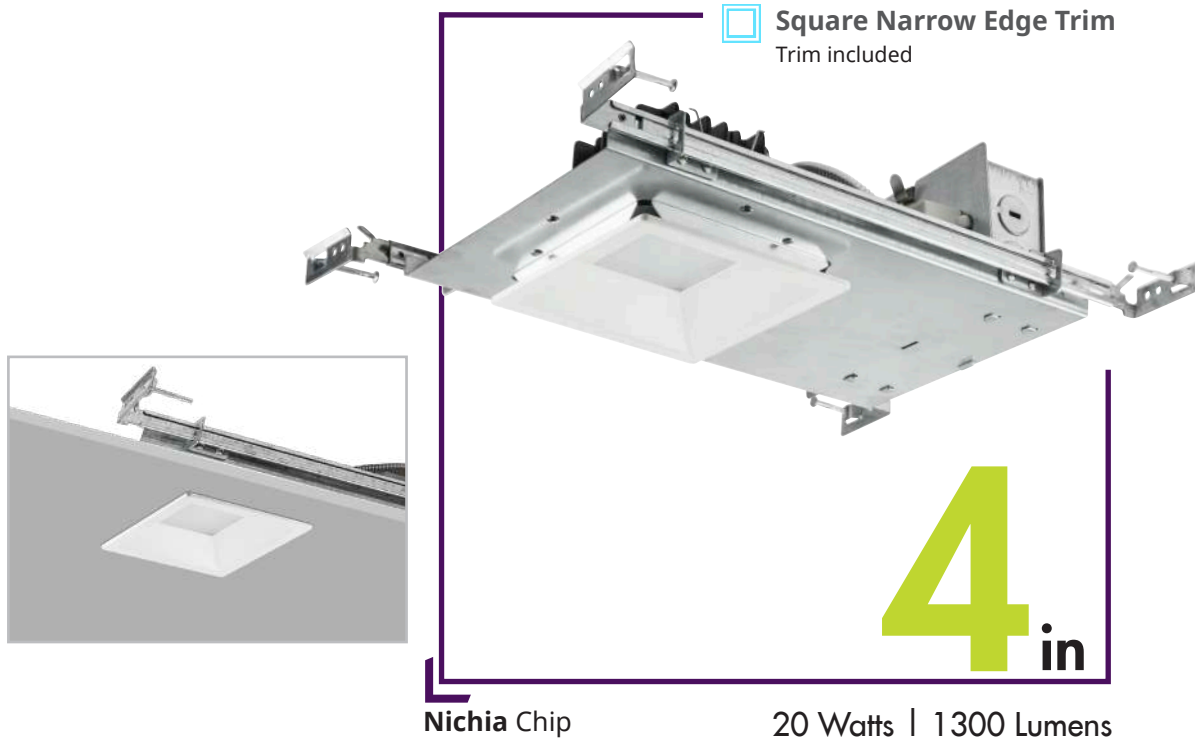
Adjustable wall-wash lighting

The MKS Architectural Series Wall-Wash option has an Adjustable 30° tilt for precise adjustments for your preferred application.



Application areas:

Retail shops, galleries, hotels, residential, and hospitality



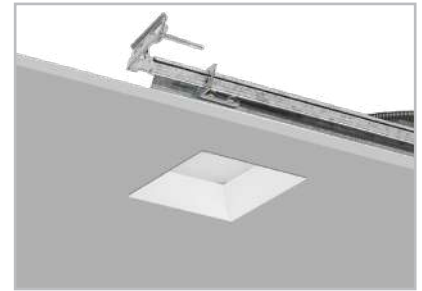
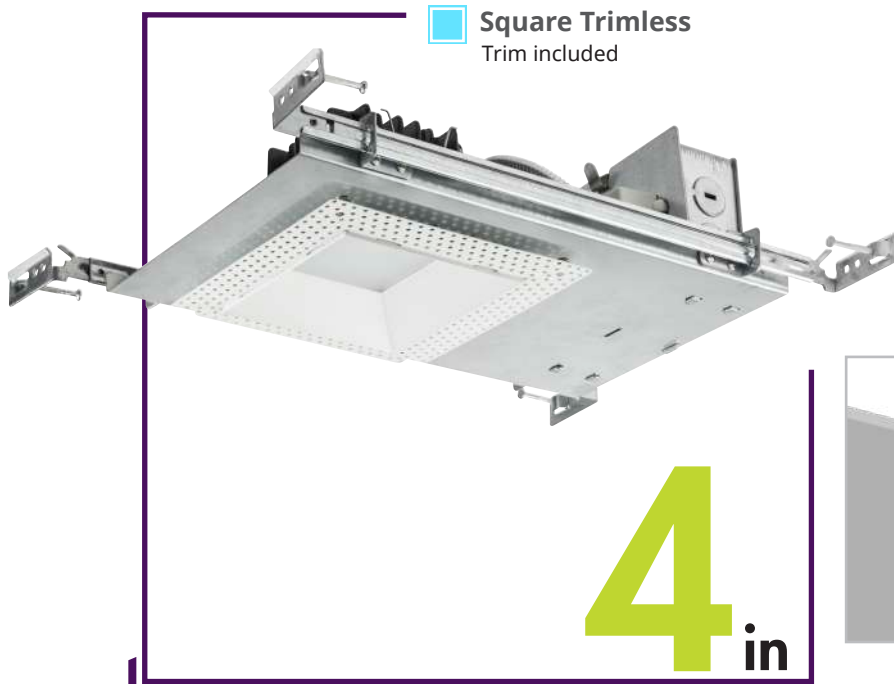
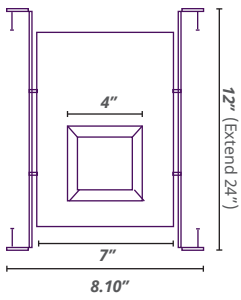
Features:

- A body made of die-cast aluminum allows passive cooling through heat dissipation
- Nichia LED chip with 40,000 hours life span
- Recessed mounted with a square trimmed design
- 90+ CRI available
- Lower and higher lumen packages available upon request (up to 2,000 Lumens)

Item#	Description	Watt	Lumen	Color Temp	Volt	Dimming	CRI	Trim
89135-MKS	MKS/ADL/4S/TR/27K	20W	1300+-	2700K	90-305	Phase & 0-10V	80	Narrow Edge
89136-MKS	MKS/ADL/4S/TR/30K	20W	1300+-	3000K	90-305	Phase & 0-10V	80	Narrow Edge
89137-MKS	MKS/ADL/4S/TR/35K	20W	1300+-	3500K	90-305	Phase & 0-10V	80	Narrow Edge
89138-MKS	MKS/ADL/4S/TR/40K	20W	1300+-	4000K	90-305	Phase & 0-10V	80	Narrow Edge
89139-MKS	MKS/ADL/4S/TR/50K	20W	1300+-	5000K	90-305	Phase & 0-10V	80	Narrow Edge



Please contact us for part numbers, pricing, and availability.



Nichia Chip

20 Watts | 1300 Lumens

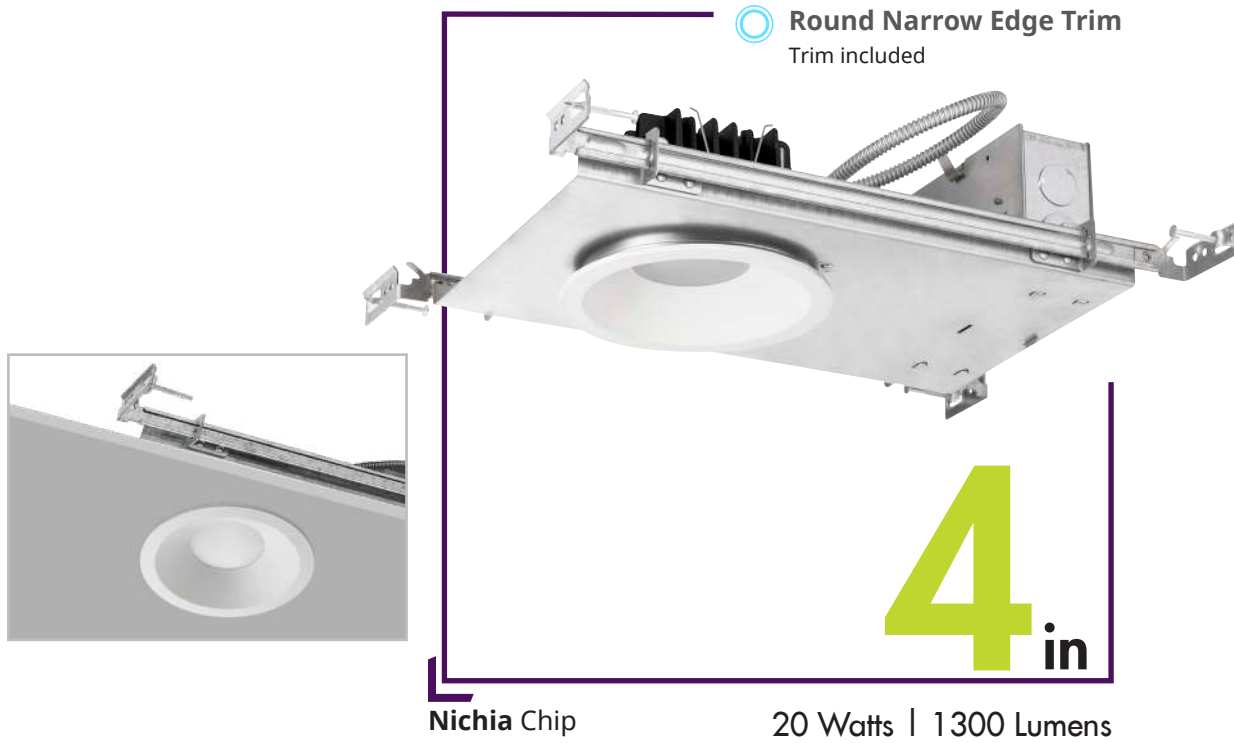
Features:

- A body made of die-cast aluminum allows passive cooling through heat dissipation
- Nichia LED chip with 40,000 hours life span
- Recessed mounted with a square trimless design
- 90+ CRI available
- Lower and higher lumen packages available upon request (up to 2,000 Lumens)

Item#	Description	Watt	Lumen	Color Temp	Volt	Dimming	CRI	Trim
89130-MKS	MKS/ADL/4S/TL/27K	20W	1300+	2700K	90-305	Phase & 0-10V	80	Trimless
89131-MKS	MKS/ADL/4S/TL/30K	20W	1300+	3000K	90-305	Phase & 0-10V	80	Trimless
89132-MKS	MKS/ADL/4S/TL/35K	20W	1300+	3500K	90-305	Phase & 0-10V	80	Trimless
89133-MKS	MKS/ADL/4S/TL/40K	20W	1300+	4000K	90-305	Phase & 0-10V	80	Trimless
89134-MKS	MKS/ADL/4S/TL/50K	20W	1300+	5000K	90-305	Phase & 0-10V	80	Trimless



Please contact us for part numbers, pricing, and availability.



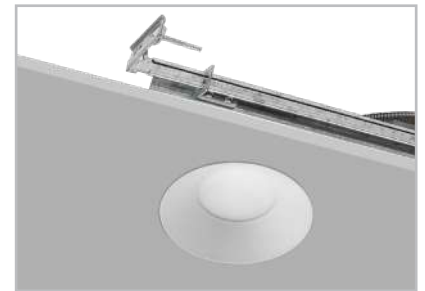
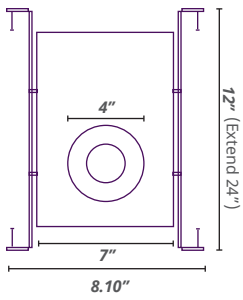
Features:

- A body made of die-cast aluminum allows passive cooling through heat dissipation
- Nichia LED chip with 40,000 hours life span
- Recessed mounted with a round trimmed design
- 90+ CRI available
- Lower and higher lumen packages available upon request (up to 2,000 Lumens)

Item#	Description	Watt	Lumen	Color Temp	Volt	Dimming	CRI	Trim
89176-MKS	MKS/ADL/4R/TR/27K	20W	1300+-	2700K	90-305	Phase & 0-10V	80	Narrow Edge
89172-MKS	MKS/ADL/4R/TR/30K	20W	1300+-	3000K	90-305	Phase & 0-10V	80	Narrow Edge
89173-MKS	MKS/ADL/4R/TR/35K	20W	1300+-	3500K	90-305	Phase & 0-10V	80	Narrow Edge
89174-MKS	MKS/ADL/4R/TR/40K	20W	1300+-	4000K	90-305	Phase & 0-10V	80	Narrow Edge
89177-MKS	MKS/ADL/4R/TR/50K	20W	1300+-	5000K	90-305	Phase & 0-10V	80	Narrow Edge



Please contact us for part numbers, pricing, and availability.



Nichia Chip

20 Watts | 1300 Lumens

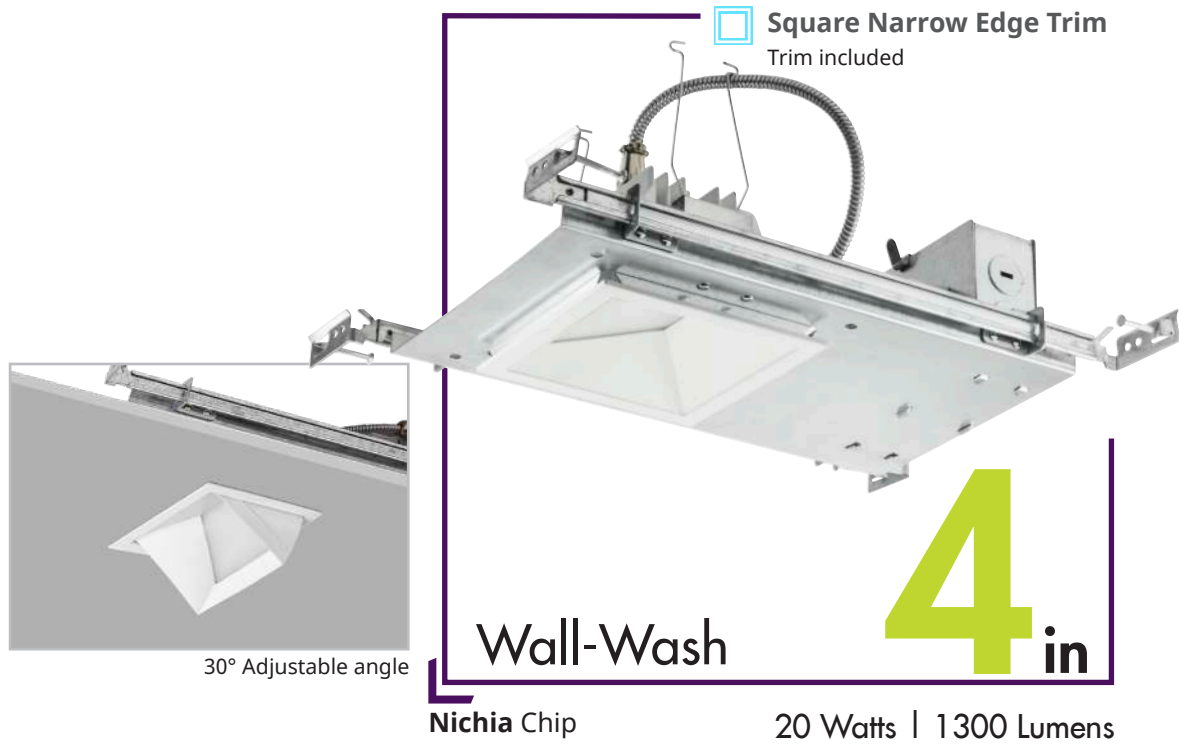
Features:

- A body made of die-cast aluminum allows passive cooling through heat dissipation
- Nichia LED chip with 40,000 hours life span
- Recessed mounted with a round trimless design
- 90+ CRI available
- Lower and higher lumen packages available upon request (up to 2,000 Lumens)

Item#	Description	Watt	Lumen	Color Temp	Volt	Dimming	CRI	Trim
89155-MKS	MKS/ADL/4R/TL/27K	20W	1300+	2700K	90-305	Phase & 0-10V	80	Trimless
89156-MKS	MKS/ADL/4R/TL/30K	20W	1300+	3000K	90-305	Phase & 0-10V	80	Trimless
89154-MKS	MKS/ADL/4R/TL/35K	20W	1300+	3500K	90-305	Phase & 0-10V	80	Trimless
89167-MKS	MKS/ADL/4R/TL/40K	20W	1300+	4000K	90-305	Phase & 0-10V	80	Trimless
89159-MKS	MKS/ADL/4R/TL/50K	20W	1300+	5000K	90-305	Phase & 0-10V	80	Trimless



Please contact us for part numbers, pricing, and availability.



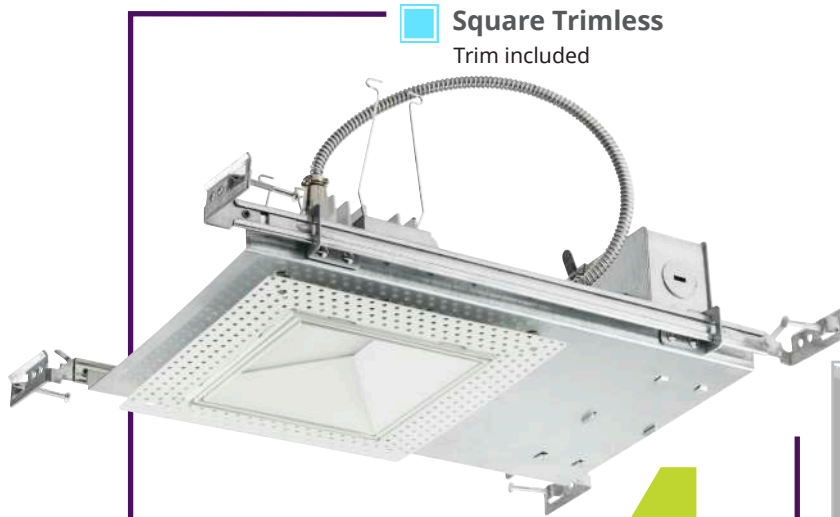
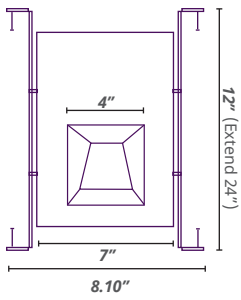
Features:

- A body made of die-cast aluminum allows passive cooling through heat dissipation
- Nichia LED chip with 40,000 hours life span
- Recessed mounted with a wall-wash trimmed design
- Adjustable 30° angle
- 90+ CRI available
- Lower and higher lumen packages available upon request (up to 2,000 Lumens)

Item#	Description	Watt	Lumen	Color Temp	Volt	Dimming	CRI	Trim
89145-MKS	MKS/ADL/4SWW/TR/27K	20W	1300+-	2700K	90-305	Phase & 0-10V	80	Narrow Edge
89146-MKS	MKS/ADL/4SWW/TR/30K	20W	1300+-	3000K	90-305	Phase & 0-10V	80	Narrow Edge
89147-MKS	MKS/ADL/4SWW/TR/35K	20W	1300+-	3500K	90-305	Phase & 0-10V	80	Narrow Edge
89148-MKS	MKS/ADL/4SWW/TR/40K	20W	1300+-	4000K	90-305	Phase & 0-10V	80	Narrow Edge
89169-MKS	MKS/ADL/4SWW/TR/50K	20W	1300+-	5000K	90-305	Phase & 0-10V	80	Narrow Edge



Please contact us for part numbers, pricing, and availability.

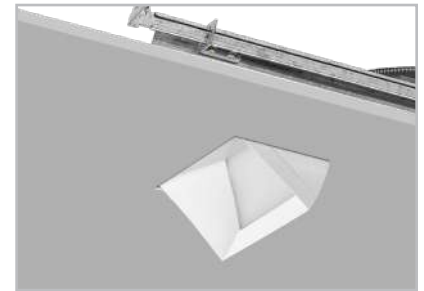


Wall-Wash

4 in

Nichia Chip

20 Watts | 1300 Lumens



30° Adjustable angle

Features:

- A body made of die-cast aluminum allows passive cooling through heat dissipation
- Nichia LED chip with 40,000 hours life span
- Recessed mounted with a wall-wash trimless design
- Adjustable 30° angle
- 90+ CRI available
- Lower and higher lumen packages available upon request (up to 2,000 Lumens)

Item#	Description	Watt	Lumen	Color Temp	Volt	Dimming	CRI	Trim
89140-MKS	MKS/ADL/4SWW/TL/27K	20W	1300+-	2700K	90-305	Phase & 0-10V	80	Trimless
89141-MKS	MKS/ADL/4SWW/TL/30K	20W	1300+-	3000K	90-305	Phase & 0-10V	80	Trimless
89142-MKS	MKS/ADL/4SWW/TL/35K	20W	1300+-	3500K	90-305	Phase & 0-10V	80	Trimless
89143-MKS	MKS/ADL/4SWW/TL/40K	20W	1300+-	4000K	90-305	Phase & 0-10V	80	Trimless
89245-MKS	MKS/ADL/4SWW/TL/50K	20W	1300+-	5000K	90-305	Phase & 0-10V	80	Trimless



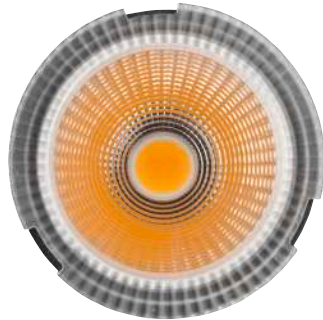
Please contact us for part numbers, pricing, and availability.





Designer Downlights

Quality Built



Cree Chip

Delivers superior quality light

Cree's COB LEDs provide the highest efficacy available in the industry compared to competing COB LEDs of the same size and color. The enhanced performance of these LEDs can radically transform the output, efficacy, and size of LED luminaires. These luminaires are perfect for applications that need high-quality light output, such as retail shops, museums, high-end commercial, and medical centers.



The ERP tri-mode technology (0-10v, TRIAC & ELV) offers a large number of compatible dimmers.



Featuring a die cast body for superior heat sink dissipation, Our IC rated downlights allow for installation in insulated ceilings.



MKS Limited Warranty covers against component defects in materials and workmanship for a period of 5 years from the date of purchase.



The recessed LED downlights are well suited for a variety of recessed lighting applications. Its low profile and stylish design blends into most design applications.



An optional backup battery system is available upon request.



Energy Star is a voluntary program launched by the U.S. Environmental Protection Agency and now managed by the EPA and the U.S. Department of Energy that helps businesses and individuals save money and protect the environment through superior energy efficiency.



ERP
POWER

Superior Driver

Simple and easy to replace

The ERP driver is one of the most revolutionary in the industry. This tri-mode dimming driver offers 0-10v, TRIAC and ELV dimming all from one single compact package.

Fully Customized Light for Your Space



Customization

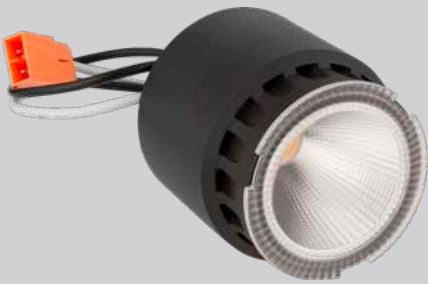
Lighting for your unique style

We offer a range of handcrafted finish options for a truly customized piece. Design your custom recessed downlight from our modern and elegant collections.



Application areas:

Residential, commercial, hospitality,
museums and themed environments



Step 1

Select light engine

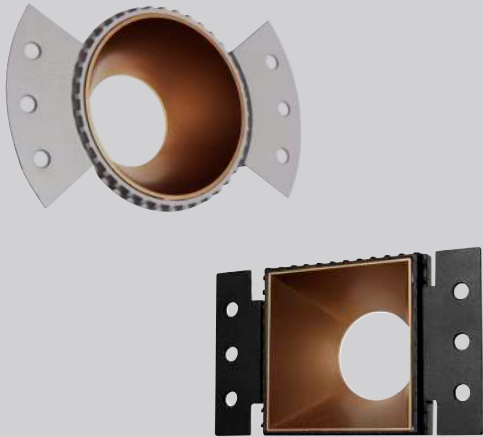
Depending on your lighting requirements, the MKS Designer Series is available in 5 different color temperatures ranging from warm 2700K to cool 5000K.

Step 2

Select housing

There are round and square light housing options.



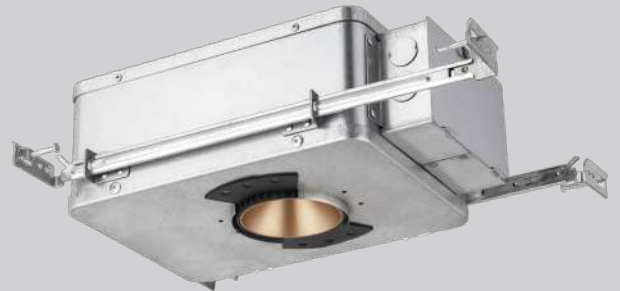


Step 3 Select Style

Based your interior design, you can choose a narrow edge or trimless and designer polished or matte finishes.

Step 4 Ready to install

Hooray! You have gathered all the necessary components and are ready to install your luminaire.



MKS Downlights

Designer Series



Features:

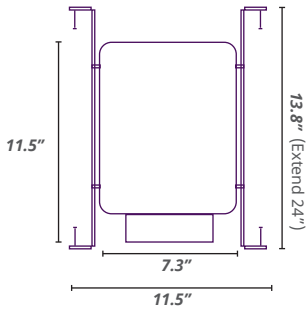
- A body made of die-cast aluminum allows passive cooling through heat dissipation
- Cree LED chip with 40,000 hours life span

7 Watts

Item#	Description	Watt	Lumen	Color Temp	Volt	Dimming	CRI
91910-MKS	MKS/DSE/7W/27K	7W	700	2700K	90-305	Phase & 0-10V	84
91911-MKS	MKS/DSE/7W/30K	7W	700	3000K	90-305	Phase & 0-10V	84
91912-MKS	MKS/DSE/7W/35K	7W	700	3500K	90-305	Phase & 0-10V	84
91913-MKS	MKS/DSE/7W/40K	7W	700	4000K	90-305	Phase & 0-10V	84
91914-MKS	MKS/DSE/7W/50K	7W	700	5000K	90-305	Phase & 0-10V	84

12 Watts

Item#	Description	Watt	Lumen	Color Temp	Volt	Dimming	CRI
91915-MKS	MKS/DS/LED/12W	12W	1200	2700K	90-305	Phase & 0-10V	84
91916-MKS	MKS/DS/LED/12W	12W	1200	3000K	90-305	Phase & 0-10V	84
91917-MKS	MKS/DS/LED/12W	12W	1200	3500K	90-305	Phase & 0-10V	84
91918-MKS	MKS/DS/LED/12W	12W	1200	4000K	90-305	Phase & 0-10V	84
91919-MKS	MKS/DS/LED/12W	12W	1200	5000K	90-305	Phase & 0-10V	84



Trimless | Narrow Edge
Available in round and square

Housing (Narrow Edge)

Features:

- Recessed mounted with round or square trims available

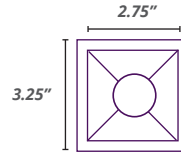
Item#	Description	Compatibility	Shape	Type
91902-MKS	MKS/DSH/7W/TRR	7 Watt	Round	Trim
91903-MKS	MKS/DSH/7W/TRS	7 Watt	Square	Trim
91922-MKS	MKS/DSH/12W/TRR	12 Watt	Round	Trim
91923-MKS	MKS/DSH/12W/TRS	12 Watt	Square	Trim

Housing (Trimless)

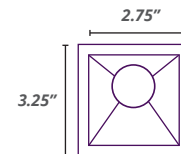
Item#	Description	Compatibility	Shape	Type
91900-MKS	MKS/DSH/7W/TLR	7 Watt	Round	Trimless
91901-MKS	MKS/DSH/7W/TLS	7 Watt	Square	Trimless
91920-MKS	MKS/DSH/12W/TLR	12 Watt	Round	Trimless
91921-MKS	MKS/DSH/12W/TLS	12 Watt	Square	Trimless

MKS Downlights

Square Narrow Edge Trims



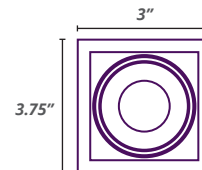
Shape	Item#	Description	Finish	Reflector	Trim Type
Square White Trim	91973-MKS	MKS/DST/TRS/NR/MGO/WH	Matte	Gold	Narrow
	91972-MKS	MKS/DST/TRS/NR/RGO/WH	Reflective	Gold	Narrow
	91974-MKS	MKS/DST/TRS/NR/RRG/WH	Reflective	Rose Gold	Narrow



Shape	Item#	Description	Finish	Reflector	Trim Type
Square White Trim	91987-MKS	MKS/DST/TRS/WW/MGO/WH	Matte	Gold	Wall Wash
	91986-MKS	MKS/DST/TRS/WW/RGO/WH	Reflective	Gold	Wall Wash
	91988-MKS	MKS/DST/TRS/WW/RRG/WH	Reflective	Rose Gold	Wall Wash



This die-cast square trim has a dual axis gimble with a 25-degree tilt.



Shape	Item#	Description	Finish	Reflector	Trim Type
Square Trim	91959-MKS	MKS/DST/TRS/AD/MWH/WH	Matte	White	Adjustable

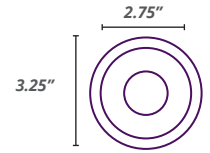


This die-cast architectural wall-wash trim has a dual axis gimble with a 25-degree tilt.

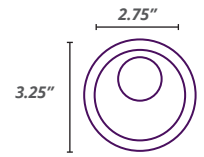
Shape	Item#	Description	Finish	Reflector	Trim Type
Square Trim	91960-MKS	MKS/DST/TRS/SM/MBK/WH	Matte	White	Smooth



Round Narrow Edge Trims



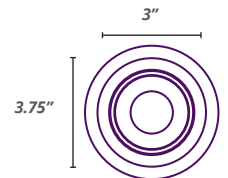
Shape	Item#	Description	Finish	Reflector	Trim Type
Round White Trim	91966-MKS	MKS/DST/TRR/NR/MGO/WH	Matte	Gold	Narrow
	91965-MKS	MKS/DST/TRR/NR/RGO/WH	Reflective	Gold	Narrow
	91967-MKS	MKS/DST/TRR/NR/RRG/WH	Reflective	Rose Gold	Narrow



Shape	Item#	Description	Finish	Reflector	Trim Type
Round White Trim	91980-MKS	MKS/DST/TRR/WW/MGO/WH	Matte	Gold	Wall Wash
	91979-MKS	MKS/DST/TRR/WW/RGO/WH	Reflective	Gold	Wall Wash
	91981-MKS	MKS/DST/TRR/WW/RRG/WH	Reflective	Rose Gold	Wall Wash



This die-cast round trim has a dual axis gimble with a 25-degree tilt.



Shape	Item#	Description	Finish	Reflector	Trim Type
Round Trim	91958-MKS	MKS/DST/TRR/AD/MWH/WH	Matte	White	Adjustable

MKS Downlights

Round Trims

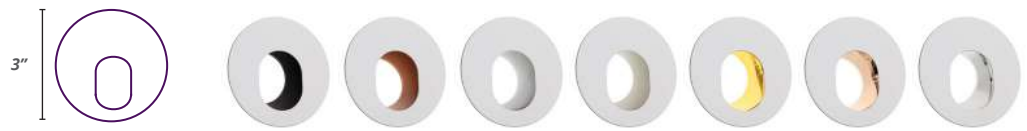


Shape	Item#	Description	Finish	Reflector	Trim Type
Classic Round Trim	91962-MKS	MKS/DST/TRR/CL/MBK/WH	Matte	Black	Classic
	92904-MKS	MKS/DST/TRR/CL/MGO/WH	Matte	Gold	Classic
	92905-MKS	MKS/DST/TRR/CL/MSL/WH	Matte	Silver	Classic
	91961-MKS	MKS/DST/TRR/CL/MWH/WH	Matte	White	Classic
	91964-MKS	MKS/DST/TRR/CL/RGO/WH	Reflective	Gold	Classic
	92903-MKS	MKS/DST/TRR/CL/RRG/WH	Reflective	Rose Gold	Classic
	91963-MKS	MKS/DST/TRR/CL/RSL/WH	Reflective	Silver	Classic



Shape	Item#	Description	Finish	Reflector	Trim Type
Eye Lid Round Trim	91995-MKS	MKS/DST/TRR/CO/MBK/WH	Matte	Black	Cut Off
	91989-MKS	MKS/DST/TRR/CO/MGO/WH	Matte	Gold	Cut Off
	91992-MKS	MKS/DST/TRR/CO/MSL/WH	Matte	Silver	Cut Off
	91994-MKS	MKS/DST/TRR/CO/MWH/WH	Matte	White	Cut Off
	91991-MKS	MKS/DST/TRR/CO/RGO/WH	Reflective	Gold	Cut Off
	91990-MKS	MKS/DST/TRR/CO/RRG/WH	Reflective	Rose Gold	Cut Off
	91993-MKS	MKS/DST/TRR/CO/RSL/WH	Reflective	Silver	Cut Off

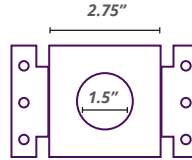




Shape	Item#	Description	Finish	Reflector	Trim Type
Slotted Round Trim	92901-MKS	MKS/DST/TRR/SL/MBK/WH	Matte	Black	Slotted
	91996-MKS	MKS/DST/TRR/SL/MGO/WH	Matte	Gold	Slotted
	91999-MKS	MKS/DST/TRR/SL/MSL/WH	Matte	Silver	Slotted
	92900-MKS	MKS/DST/TRR/SL/MWH/WH	Matte	White	Slotted
	91998-MKS	MKS/DST/TRR/SL/RGO/WH	Reflective	Gold	Slotted
	91997-MKS	MKS/DST/TRR/SL/RRG/WH	Reflective	Rose Gold	Slotted
	92902-MKS	MKS/DST/TRR/SL/RSL/WH	Reflective	Silver	Slotted

MKS Downlights

Square Trimless Trim

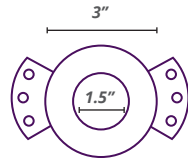


Shape	Item#	Description	Finish	Reflector	Trim Type
Black Square Trimless	91952-MKS	MKS/DST/TLS/MBK/BK	Matte	Black	Trimless
	91956-MKS	MKS/DST/TLS/MGO/BK	Matte	Gold	Trimless
	91954-MKS	MKS/DST/TLS/MSL/BK	Matte	Silver	Trimless
	91951-MKS	MKS/DST/TLS/MWH/BK	Matte	White	Trimless
	91955-MKS	MKS/DST/TLS/RGO/BK	Reflective	Gold	Trimless
	91957-MKS	MKS/DST/TLS/RRG/BK	Reflective	Rose Gold	Trimless
	91953-MKS	MKS/DST/TLS/RSL/BK	Reflective	Silver	Trimless



Shape	Item#	Description	Finish	Reflector	Trim Type
White Square Trimless	91950-MKS	MKS/DST/TLS/MBK/WH	Matte	Black	Trimless
	91948-MKS	MKS/DST/TLS/MGO/WH	Matte	Gold	Trimless
	91946-MKS	MKS/DST/TLS/MSL/WH	Matte	Silver	Trimless
	91944-MKS	MKS/DST/TLS/MWH/WH	Matte	White	Trimless
	91947-MKS	MKS/DST/TLS/RGO/WH	Reflective	Gold	Trimless
	91949-MKS	MKS/DST/TLS/RRG/WH	Reflective	Rose Gold	Trimless
	91945-MKS	MKS/DST/TLS/RSL/WH	Reflective	Silver	Trimless

Round Trimless Trim



Shape	Item#	Description	Finish	Reflector	Trim Type
Black Round Trimless	91943-MKS	MKS/DST/TLR/MBK/BK	Matte	Black	Trimless
	91941-MKS	MKS/DST/TLR/MGO/BK	Matte	Gold	Trimless
	91939-MKS	MKS/DST/TLR/MSL/BK	Matte	Silver	Trimless
	91937-MKS	MKS/DST/TLR/MWH/BK	Matte	White	Trimless
	91940-MKS	MKS/DST/TLR/RGO/BK	Reflective	Gold	Trimless
	91942-MKS	MKS/DST/TLR/RRG/BK	Reflective	Rose Gold	Trimless
	91938-MKS	MKS/DST/TLR/RSL/BK	Reflective	Silver	Trimless



Shape	Item#	Description	Finish	Reflector	Trim Type
White Round Trimless	91936-MKS	MKS/DST/TLR/MBK/WH	Matte	Black	Trimless
	91934-MKS	MKS/DST/TLR/MGO/WH	Matte	Gold	Trimless
	91932-MKS	MKS/DST/TLR/MSL/WH	Matte	Silver	Trimless
	91930-MKS	MKS/DST/TLR/MWH/WH	Matte	White	Trimless
	91933-MKS	MKS/DST/TLR/RGO/WH	Reflective	Gold	Trimless
	91935-MKS	MKS/DST/TLR/RRG/WH	Reflective	Rose Gold	Trimless
	91931-MKS	MKS/DST/TLR/RSL/WH	Reflective	Silver	Trimless





Contemporary Downlight

Quality Built



Cree Chip

Delivers superior quality light

Cree's COB LEDs provide the highest efficacy available in the industry compared to competing COB LEDs of the same size and color. The enhanced performance of these LEDs can radically transform the output, efficacy, and size of LED luminaires. These luminaires are perfect for applications that need high-quality light output, such as retail shops, museums, high-end commercial, and medical centers.



Gauge steel junction box



Superior Driver

Simple and easy to replace

The ERP driver is one of the most revolutionary in the industry. This tri-mode dimming driver offers 0-10v, TRIAC and ELV dimming all from one single compact package.



359° Rotation

30° Tilt Angle

Tilt Angle 30°

Adjustable multi-directional lighting

The MKS Contemporary Series allows for a 359-degree rotation with a 30-degree tilt. The 2-axis rotation allows for precise adjustments for your preferred application.



The ERP tri-mode technology (0-10v, TRIAC & ELV) offers a large number of compatible dimmers.



Featuring a die cast body for superior heat sink dissipation, Our IC rated downlights allow for installation in insulated ceilings.



MKS Limited Warranty covers against component defects in materials and workmanship for a period of 5 years from the date of purchase.



The recessed LED downlights are well suited for a variety of recessed lighting applications. Its low profile and stylish design blends into most design applications.



An optional backup battery system is available upon request.



Energy Star is a voluntary program launched by the U.S. Environmental Protection Agency and now managed by the EPA and the U.S. Department of Energy that helps businesses and individuals save money and protect the environment through superior energy efficiency.



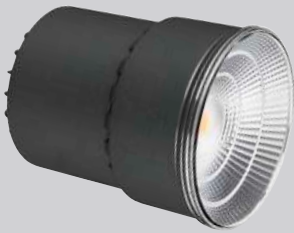
Anti-Glare

Additional features are available, such as Louver to reduce the glare, Extender to recess the light source deeper into the ceiling and decreases light blinding, and a Snoot to control the direction of light.



Application areas:

Retail shops, galleries, hotels, residential, and hospitality



Step 1

Select light engine

Depending on your lighting requirements, you can choose from warm to cool kelvins. MKS Contemporary Series is available in four color temperatures.

Step 2

Select housing

There are single and double light housing options. Choose the amount of light you require and whether you want round or square design.





Step 3 Select style

Based on your interior design you can choose a stepped trim for a pleasant classic look, or a smooth trim for a modern look.

Step 4 Ready to install

Hooray! You have gathered all the necessary components and are ready to install your luminaire.

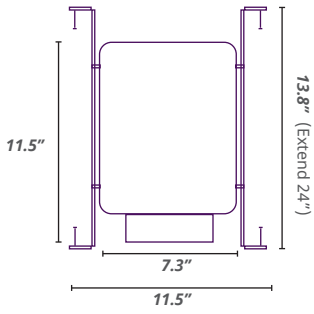




Features:

- A body made of die-cast aluminum allows passive cooling through heat dissipation
- Cree LED chip with 40,000 hours life span

Item#	Description	Watt	Lumen	Color Temp	Volt	Dimming	CRI	Beam°
99810-MKS	MKS/CSD/LE/27K	9W	700	2700K	120-277	0-10V	80	38
99811-MKS	MKS/CSD/LE/30K	9W	700	3000K	120-277	0-10V	80	38
99812-MKS	MKS/CSD/LE/35K	9W	700	3500K	120-277	0-10V	80	38
99813-MKS	MKS/CSD/LE/40K	9W	700	4000K	120-277	0-10V	80	38



Single | Double
Available in round or square



Features:

- Recessed mounted with one or two, round or square lights available

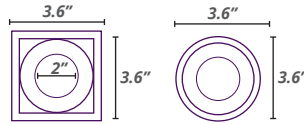
Item#	Description	Shape	Type	Height	Depth	Width
99801-MKS	MKS/CSD/HNC/1R	Round	Single	4"	8.09"	12"
99803-MKS	MKS/CSD/HNC/1S	Square	Single	4"	8.09"	12"
99851-MKS	MKS/CSD/HNC/2R	Round	Double	4"	8.09"	12"
99853-MKS	MKS/CSD/HNC/2S	Square	Double	4"	8.09"	12"

MKS Downlights

Trims and Accessories



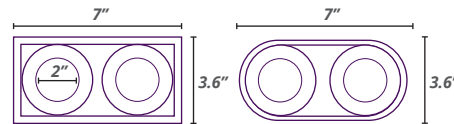
Single Trim (Smooth)



Shape	Item#	Description	Type	Style	Size
Round	99820-MKS	MKS/CSD/TS/1R/SM	Single	Smooth	2"
Square	99821-MKS	MKS/CSD/TS/1S/SM	Single	Smooth	2"



Double Trim (Smooth)

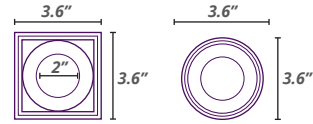


Shape	Item#	Description	Type	Style	Size
Round	99870-MKS	MKS/CSD/TD/2R/SM	Double	Smooth	2"
Square	99871-MKS	MKS/CSD/TD/2S/SM	Double	Smooth	2"



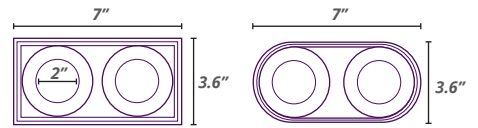
Accessories

The Contemporary Series LED Downlights feature accessories to help achieve your perfect lighting requirements.



Single Trim (Stepped)

Shape	Item#	Description	Type	Style	Size
Round	99825-MKS	MKS/CSD/TS/1R/ST	Single	Stepped	2"
Square	99826-MKS	MKS/CSD/TS/1S/ST	Single	Stepped	2"



Double Trim (Stepped)

Shape	Item#	Description	Type	Style	Size
Round	99875-MKS	MKS/CSD/TD/2R/ST	Double	Stepped	2"
Square	99876-MKS	MKS/CSD/TD/2S/ST	Double	Stepped	2"



Louver

Use louver to reduce lighting glare.

Item#	Description	Finish
99880-MKS	MKS/CSD/LO/BK	Black



Extenders

Use extender to recess the light source deeper into the ceiling and decrease light blinding.

Item#	Description	Finish
99882-MKS	MKS/CSD/AE/BK	Black
99881-MKS	MKS/CSD/AE/SL	Silver



Snoot

Use snoot to control lighting direction.

Item#	Description	Finish
99883-MKS	MKS/CSD/AS/WH	White





Multi-Head Downlights

Quality Built



Cree Chip

Delivers superior quality light

Cree's COB LEDs provide the highest efficacy available in the industry compared to competing COB LEDs of the same size and color. The enhanced performance of these LEDs can radically transform the output, efficacy, and size of LED luminaires. These luminaires are perfect for applications that need high-quality light output, such as retail shops, museums, high-end commercial, and medical centers.



The ERP tri-mode technology (0-10v, TRIAC & ELV) offers a large number of compatible dimmers.



Featuring a die cast body for superior heat sink dissipation, Our IC rated downlights allow for installation in insulated ceilings.



MKS Limited Warranty covers against component defects in materials and workmanship for a period of 5 years from the date of purchase.



The recessed LED downlights are well suited for a variety of recessed lighting applications. Its low profile and stylish design blends into most design applications.



An optional backup battery system is available upon request.



Energy Star is a voluntary program launched by the U.S. Environmental Protection Agency and now managed by the EPA and the U.S. Department of Energy that helps businesses and individuals save money and protect the environment through superior energy efficiency.



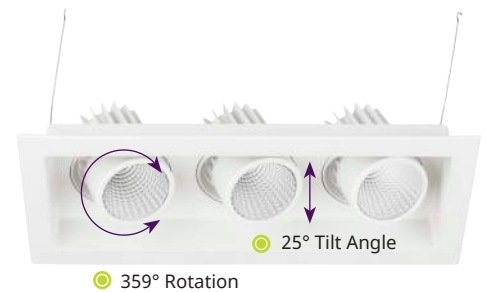
● Gauge steel junction box



Superior Driver

Simple and easy to replace

The ERP driver is one of the most revolutionary in the industry. This tri-mode dimming driver offers 0-10v, TRIAC and ELV dimming all from one single compact package.



● 359° Rotation

Tilt Angle 25°

Adjustable multi-directional lighting

The MKS trimmed and trimless multi lights allow for a 359-degree rotation with a 25-degree tilt. The 2-axis rotation allows for precise adjustments for your preferred application.



Application areas:

Retail shops, galleries, hotels, residential, and hospitality

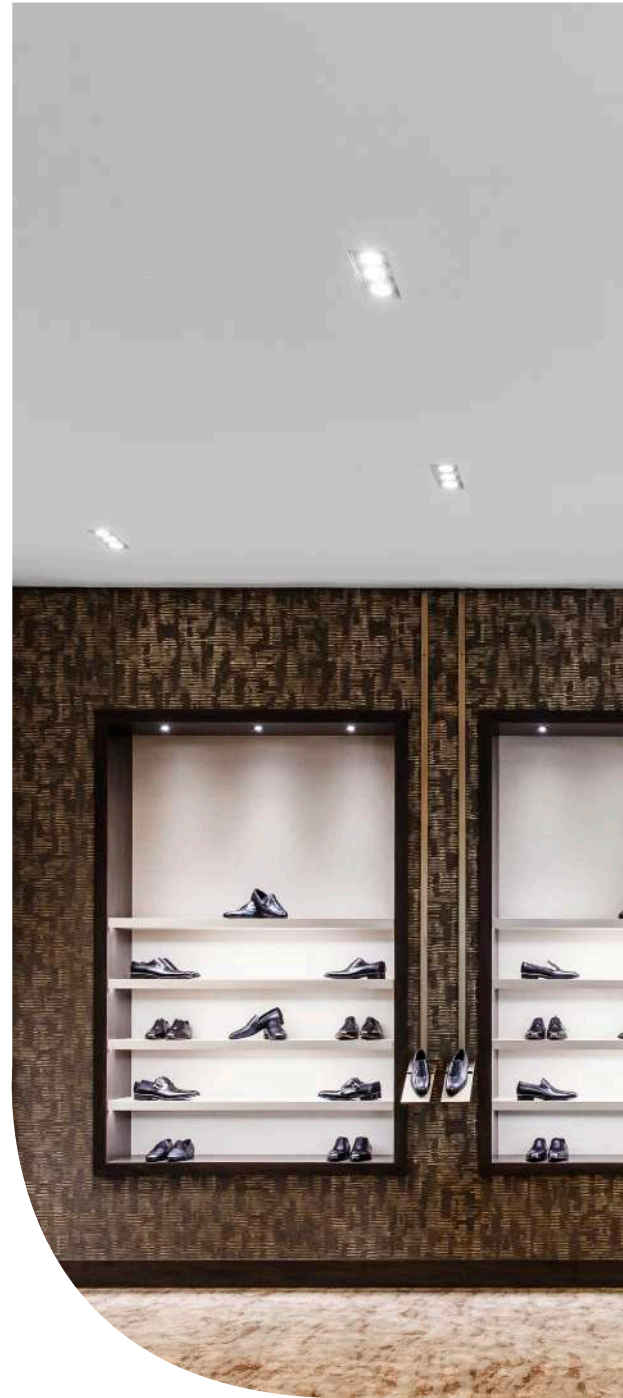
MKS Downlights

Multi-Head Series



Black / White

MKS stocks both white and black finishes in trimmed and trimless versions. We also offer tuxedo finishes as well as custom colors based on supplied RAL numbers.



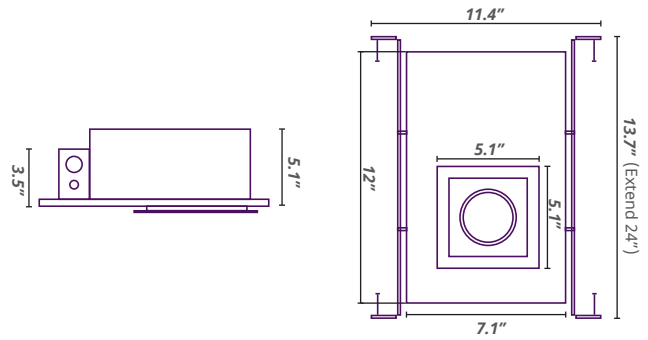


Trim / Trimless

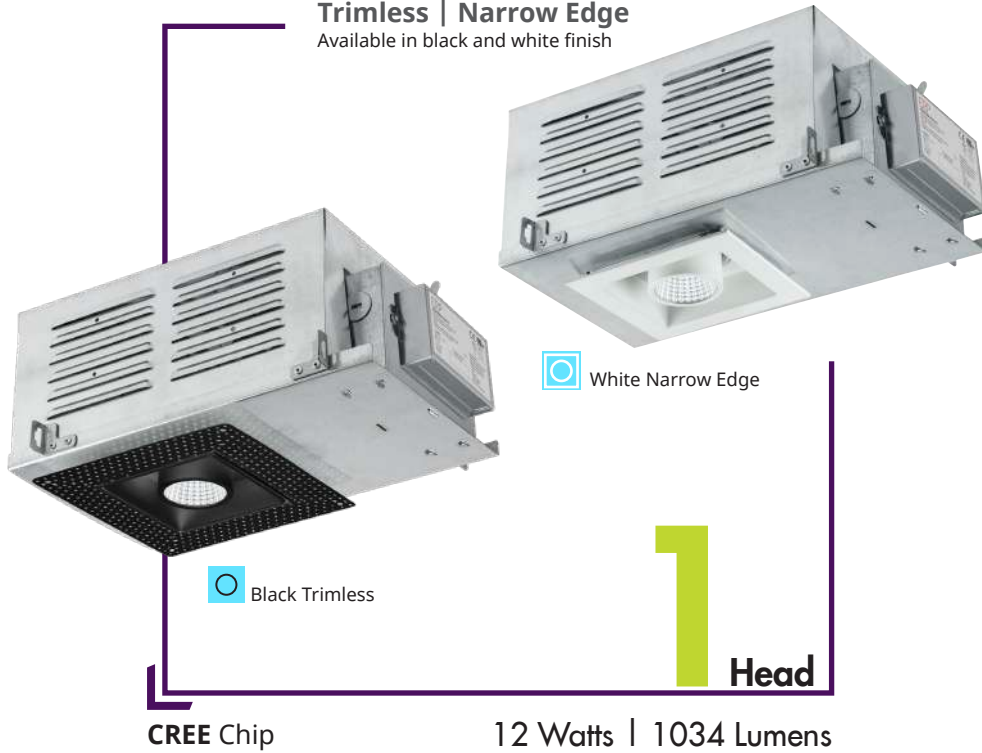
MKS offers 1, 2, 3 and 4 light versions of both trimmed and trimless in multiple color options



MKS Downlights
Multi-Head Series



Trimless | Narrow Edge
Available in black and white finish



Features:

- A body made of die-cast aluminum allows passive cooling through heat dissipation
- CREE LED chip with 40,000 hours life span
- Two-axis gimble to rotate 359° and tilt 25°
- Two mounting options, trimmed or timeless



White Narrow Edge

Item#	Description	Watt	Lumen	Color Temp	Volt	Dimming	CRI	Type
89163-MKS	MKS/MDL/1H/TR/WH/27K	12W	1034+-	2700K	90-305	Phase & 0-10V	84	Trim
89161-MKS	MKS/MDL/1H/TR/WH/30K	12W	1034+-	3000K	90-305	Phase & 0-10V	84	Trim
89164-MKS	MKS/MDL/1H/TR/WH/35K	12W	1034+-	3500K	90-305	Phase & 0-10V	84	Trim
89162-MKS	MKS/MDL/1H/TR/WH/40K	12W	1034+-	4000K	90-305	Phase & 0-10V	84	Trim
89175-MKS	MKS/MDL/1H/TR/WH/50K	12W	1034+-	5000K	90-305	Phase & 0-10V	84	Trim

White Trimless

Item#	Description	Watt	Lumen	Color Temp	Volt	Dimming	CRI	Type
89273-MKS	MKS/MDL/1H/TL/WH/27K	12W	1034+-	2700K	90-305	Phase & 0-10V	84	Trimless
89166-MKS	MKS/MDL/1H/TL/WH/30K	12W	1034+-	3000K	90-305	Phase & 0-10V	84	Trimless
89178-MKS	MKS/MDL/1H/TL/WH/35K	12W	1034+-	3500K	90-305	Phase & 0-10V	84	Trimless
89168-MKS	MKS/MDL/1H/TL/WH/40K	12W	1034+-	4000K	90-305	Phase & 0-10V	84	Trimless
89229-MKS	MKS/MDL/1H/TL/WH/50K	12W	1034+-	5000K	90-305	Phase & 0-10V	84	Trimless

Black Narrow Edge

Item#	Description	Watt	Lumen	Color Temp	Volt	Dimming	CRI	Type
89260-MKS	MKS/MDL/1H/TR/BK/27K	12W	1034+-	2700K	90-305	Phase & 0-10V	84	Trim
89261-MKS	MKS/MDL/1H/TR/BK/30K	12W	1034+-	3000K	90-305	Phase & 0-10V	84	Trim
89263-MKS	MKS/MDL/1H/TR/BK/35K	12W	1034+-	3500K	90-305	Phase & 0-10V	84	Trim
89262-MKS	MKS/MDL/1H/TR/BK/40K	12W	1034+-	4000K	90-305	Phase & 0-10V	84	Trim
89264-MKS	MKS/MDL/1H/TR/BK/50K	12W	1034+-	5000K	90-305	Phase & 0-10V	84	Trim

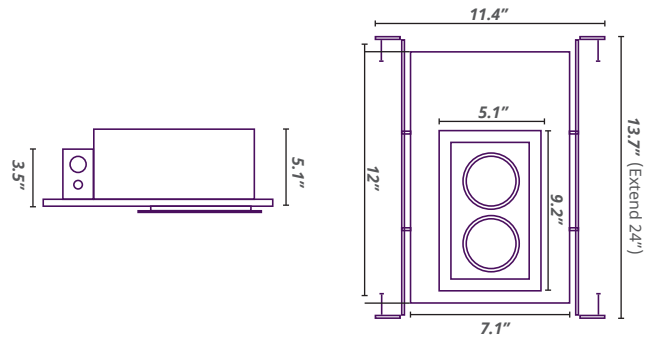
Black Trimless

Item#	Description	Watt	Lumen	Color Temp	Volt	Dimming	CRI	Type
89265-MKS	MKS/MDL/1H/TL/BK/27K	12W	1034+-	2700K	90-305	Phase & 0-10V	84	Trimless
89266-MKS	MKS/MDL/1H/TL/BK/30K	12W	1034+-	3000K	90-305	Phase & 0-10V	84	Trimless
89267-MKS	MKS/MDL/1H/TL/BK/35K	12W	1034+-	3500K	90-305	Phase & 0-10V	84	Trimless
89268-MKS	MKS/MDL/1H/TL/BK/40K	12W	1034+-	4000K	90-305	Phase & 0-10V	84	Trimless
89269-MKS	MKS/MDL/1H/TL/BK/50K	12W	1034+-	5000K	90-305	Phase & 0-10V	84	Trimless



Optional backup battery system available upon request

MKS Downlights
Multi-Head Series



Trimless | Narrow Edge
Available in black and white finish



CREE Chip

24 Watts | 1900 Lumens

Features:

- A body made of die-cast aluminum allows passive cooling through heat dissipation
- CREE LED chip with 40,000 hours life span
- Two-axis gimble to rotate 359° and tilt 25°
- Two mounting options, trimmed or timeless



White Narrow Edge

Item#	Description	Watt	Lumen	Color Temp	Volt	Dimming	CRI	Type
89180-MKS	MKS/MDL/2H/TR/WH/27K	24W	1900+-	2700K	90-305	Phase & 0-10V	84	Trim
89181-MKS	MKS/MDL/2H/TR/WH/30K	24W	1900+-	3000K	90-305	Phase & 0-10V	84	Trim
89182-MKS	MKS/MDL/2H/TR/WH/35K	24W	1900+-	3500K	90-305	Phase & 0-10V	84	Trim
89183-MKS	MKS/MDL/2H/TR/WH/40K	24W	1900+-	4000K	90-305	Phase & 0-10V	84	Trim
89184-MKS	MKS/MDL/2H/TR/WH/50K	24W	1900+-	5000K	90-305	Phase & 0-10V	84	Trim

White Trimless

Item#	Description	Watt	Lumen	Color Temp	Volt	Dimming	CRI	Type
89185-MKS	MKS/MDL/2H/TL/WH/27K	24W	1900+-	2700K	90-305	Phase & 0-10V	84	Trimless
89186-MKS	MKS/MDL/2H/TL/WH/30K	24W	1900+-	3000K	90-305	Phase & 0-10V	84	Trimless
89187-MKS	MKS/MDL/2H/TL/WH/35K	24W	1900+-	3500K	90-305	Phase & 0-10V	84	Trimless
89189-MKS	MKS/MDL/2H/TL/WH/40K	24W	1900+-	4000K	90-305	Phase & 0-10V	84	Trimless
89228-MKS	MKS/MDL/2H/TL/WH/50K	24W	1900+-	5000K	90-305	Phase & 0-10V	84	Trimless

Black Narrow Edge

Item#	Description	Watt	Lumen	Color Temp	Volt	Dimming	CRI	Type
89280-MKS	MKS/MDL/2H/TR/BK/27K	24W	1900+-	2700K	90-305	Phase & 0-10V	84	Trim
89281-MKS	MKS/MDL/2H/TR/BK/30K	24W	1900+-	3000K	90-305	Phase & 0-10V	84	Trim
89284-MKS	MKS/MDL/2H/TR/BK/35K	24W	1900+-	3500K	90-305	Phase & 0-10V	84	Trim
89282-MKS	MKS/MDL/2H/TR/BK/40K	24W	1900+-	4000K	90-305	Phase & 0-10V	84	Trim
89283-MKS	MKS/MDL/2H/TR/BK/50K	24W	1900+-	5000K	90-305	Phase & 0-10V	84	Trim

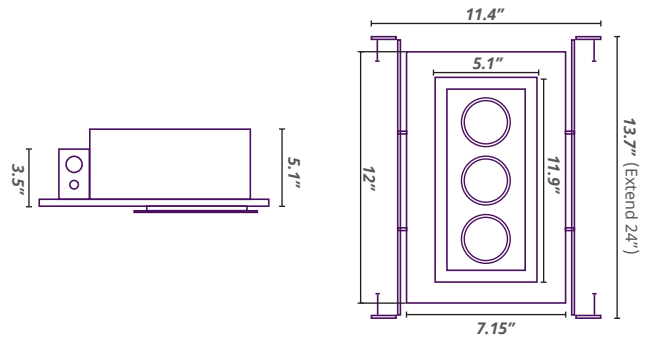
Black Trimless

Item#	Description	Watt	Lumen	Color Temp	Volt	Dimming	CRI	Type
89285-MKS	MKS/MDL/2H/TL/BK/27K	24W	1900+-	2700K	90-305	Phase & 0-10V	84	Trimless
89286-MKS	MKS/MDL/2H/TL/BK/30K	24W	1900+-	3000K	90-305	Phase & 0-10V	84	Trimless
89288-MKS	MKS/MDL/2H/TL/BK/35K	24W	1900+-	3500K	90-305	Phase & 0-10V	84	Trimless
89287-MKS	MKS/MDL/2H/TL/BK/40K	24W	1900+-	4000K	90-305	Phase & 0-10V	84	Trimless
89289-MKS	MKS/MDL/2H/TL/BK/50K	24W	1900+-	5000K	90-305	Phase & 0-10V	84	Trimless



Optional backup battery system available upon request

MKS Downlights
Multi-Head Series



Trimless | Narrow Edge
Available in black and white finish



White Narrow Edge

Black Trimless

3 Head

CREE Chip

36 Watts | 2900 Lumens

Features:

- A body made of die-cast aluminum allows passive cooling through heat dissipation
- CREE LED chip with 40,000 hours life span
- Two-axis gimble to rotate 359° and tilt 25°
- Two mounting options, trimmed or timeless



White Narrow Edge

Item#	Description	Watt	Lumen	Color Temp	Volt	Dimming	CRI	Type
89190-MKS	MKS/MDL/3H/TR/WH/27K	36W	2900+-	2700K	90-305	Phase & 0-10V	84	Trim
89191-MKS	MKS/MDL/3H/TR/WH/30K	36W	2900+-	3000K	90-305	Phase & 0-10V	84	Trim
89193-MKS	MKS/MDL/3H/TR/WH/35K	36W	2900+-	3500K	90-305	Phase & 0-10V	84	Trim
89192-MKS	MKS/MDL/3H/TR/WH/40K	36W	2900+-	4000K	90-305	Phase & 0-10V	84	Trim
89194-MKS	MKS/MDL/3H/TR/WH/50K	36W	2900+-	5000K	90-305	Phase & 0-10V	84	Trim

White Trimless

Item#	Description	Watt	Lumen	Color Temp	Volt	Dimming	CRI	Type
89195-MKS	MKS/MDL/3H/TL/WH/27K	36W	2900+-	2700K	90-305	Phase & 0-10V	84	Trimless
89196-MKS	MKS/MDL/3H/TL/WH/30K	36W	2900+-	3000K	90-305	Phase & 0-10V	84	Trimless
89197-MKS	MKS/MDL/3H/TL/WH/35K	36W	2900+-	3500K	90-305	Phase & 0-10V	84	Trimless
89198-MKS	MKS/MDL/3H/TL/WH/40K	36W	2900+-	4000K	90-305	Phase & 0-10V	84	Trimless
89199-MKS	MKS/MDL/3H/TL/WH/50K	36W	2900+-	5000K	90-305	Phase & 0-10V	84	Trimless

Black Narrow Edge

Item#	Description	Watt	Lumen	Color Temp	Volt	Dimming	CRI	Type
89290-MKS	MKS/MDL/3H/TR/BK/27K	36W	2900+-	2700K	90-305	Phase & 0-10V	84	Trim
89291-MKS	MKS/MDL/3H/TR/BK/30K	36W	2900+-	3000K	90-305	Phase & 0-10V	84	Trim
89293-MKS	MKS/MDL/3H/TR/BK/35K	36W	2900+-	3500K	90-305	Phase & 0-10V	84	Trim
89292-MKS	MKS/MDL/3H/TR/BK/40K	36W	2900+-	4000K	90-305	Phase & 0-10V	84	Trim
89294-MKS	MKS/MDL/3H/TR/BK/50K	36W	2900+-	5000K	90-305	Phase & 0-10V	84	Trim

Black Trimless

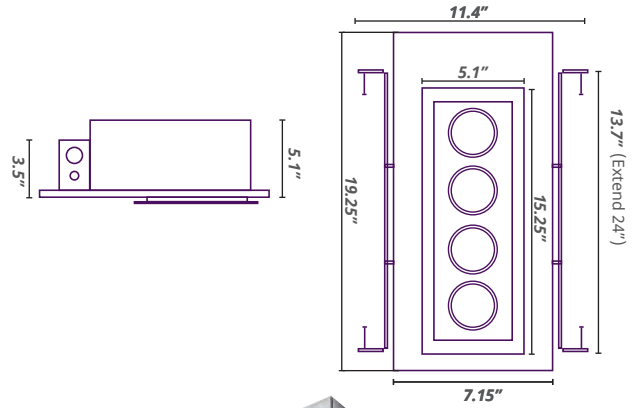
Item#	Description	Watt	Lumen	Color Temp	Volt	Dimming	CRI	Type
89295-MKS	MKS/MDL/3H/TL/BK/27K	36W	2900+-	2700K	90-305	Phase & 0-10V	84	Trimless
89296-MKS	MKS/MDL/3H/TL/BK/30K	36W	2900+-	3000K	90-305	Phase & 0-10V	84	Trimless
89297-MKS	MKS/MDL/3H/TL/BK/35K	36W	2900+-	3500K	90-305	Phase & 0-10V	84	Trimless
89298-MKS	MKS/MDL/3H/TL/BK/40K	36W	2900+-	4000K	90-305	Phase & 0-10V	84	Trimless
89299-MKS	MKS/MDL/3H/TL/BK/50K	36W	2900+-	5000K	90-305	Phase & 0-10V	84	Trimless



Optional backup battery system available upon request


MKS Downlights


Multi-Head Series



Trimless | Narrow Edge
Available in black and white finish



 Black Trimless

 White Narrow Edge

4 Head


CREE Chip

48 Watts | 4250 Lumens


Features:

- A body made of die-cast aluminum allows passive cooling through heat dissipation
- CREE LED chip with 40,000 hours life span
- Two-axis gimble to rotate 359° and tilt 25°
- Two mounting options, trimmed or timeless



 White Trimless



 Black Narrow Edge

White Narrow Edge

Item#	Description	Watt	Lumen	Color Temp	Volt	Dimming	CRI	Type
99190-MKS	MKS/MDL/4H/TR/WH/27K	48W	4250+-	2700K	90-305	Phase & 0-10V	84	Trim
99191-MKS	MKS/MDL/4H/TR/WH/30K	48W	4250+-	3000K	90-305	Phase & 0-10V	84	Trim
99192-MKS	MKS/MDL/4H/TR/WH/35K	48W	4250+-	3500K	90-305	Phase & 0-10V	84	Trim
99193-MKS	MKS/MDL/4H/TR/WH/40K	48W	4250+-	4000K	90-305	Phase & 0-10V	84	Trim
99194-MKS	MKS/MDL/4H/TR/WH/50K	48W	4250+--	5000K	90-305	Phase & 0-10V	84	Trim

White Trimless

Item#	Description	Watt	Lumen	Color Temp	Volt	Dimming	CRI	Type
99195-MKS	MKS/MDL/4H/TL/WH/27K	48W	4250+-	2700K	90-305	Phase & 0-10V	84	Trimless
99196-MKS	MKS/MDL/4H/TL/WH/30K	48W	4250+-	3000K	90-305	Phase & 0-10V	84	Trimless
99197-MKS	MKS/MDL/4H/TL/WH/35K	48W	4250+-	3500K	90-305	Phase & 0-10V	84	Trimless
99198-MKS	MKS/MDL/4H/TL/WH/40K	48W	4250+-	4000K	90-305	Phase & 0-10V	84	Trimless
99199-MKS	MKS/MDL/4H/TL/WH/50K	48W	4250+--	5000K	90-305	Phase & 0-10V	84	Trimless

Black Narrow Edge

Item#	Description	Watt	Lumen	Color Temp	Volt	Dimming	CRI	Type
99290-MKS	MKS/MDL/4H/TR/BK/27K	48W	4250+-	2700K	90-305	Phase & 0-10V	84	Trim
99291-MKS	MKS/MDL/4H/TR/BK/30K	48W	4250+-	3000K	90-305	Phase & 0-10V	84	Trim
99292-MKS	MKS/MDL/4H/TR/BK/35K	48W	4250+-	3500K	90-305	Phase & 0-10V	84	Trim
99293-MKS	MKS/MDL/4H/TR/BK/40K	48W	4250+-	4000K	90-305	Phase & 0-10V	84	Trim
99294-MKS	MKS/MDL/4H/TR/BK/50K	48W	4250+--	5000K	90-305	Phase & 0-10V	84	Trim

Black Trimless

Item#	Description	Watt	Lumen	Color Temp	Volt	Dimming	CRI	Type
99295-MKS	MKS/MDL/4H/TL/BK/27K	48W	4250+-	2700K	90-305	Phase & 0-10V	84	Trimless
99296-MKS	MKS/MDL/4H/TL/BK/30K	48W	4250+-	3000K	90-305	Phase & 0-10V	84	Trimless
99297-MKS	MKS/MDL/4H/TL/BK/35K	48W	4250+-	3500K	90-305	Phase & 0-10V	84	Trimless
99298-MKS	MKS/MDL/4H/TL/BK/40K	48W	4250+-	4000K	90-305	Phase & 0-10V	84	Trimless
99299-MKS	MKS/MDL/4H/TL/BK/50K	48W	4250+--	5000K	90-305	Phase & 0-10V	84	Trimless



Optional backup battery system available upon request





Linear Lights

Quality Built



Nichia Chip

Delivers superior quality light

MKS is committed to delivering quality products to our customers. Therefore, MKS products are built using industry-leading components such as Nichia.



The driver is multi-volt (120-277v) with 0-10v dimming.



MKS Limited Warranty covers against component defects in materials and workmanship for a period of 5 years from the date of purchase.



An optional backup battery system is available upon request. (Remote application)



Evolution of Flexibility in Lighting

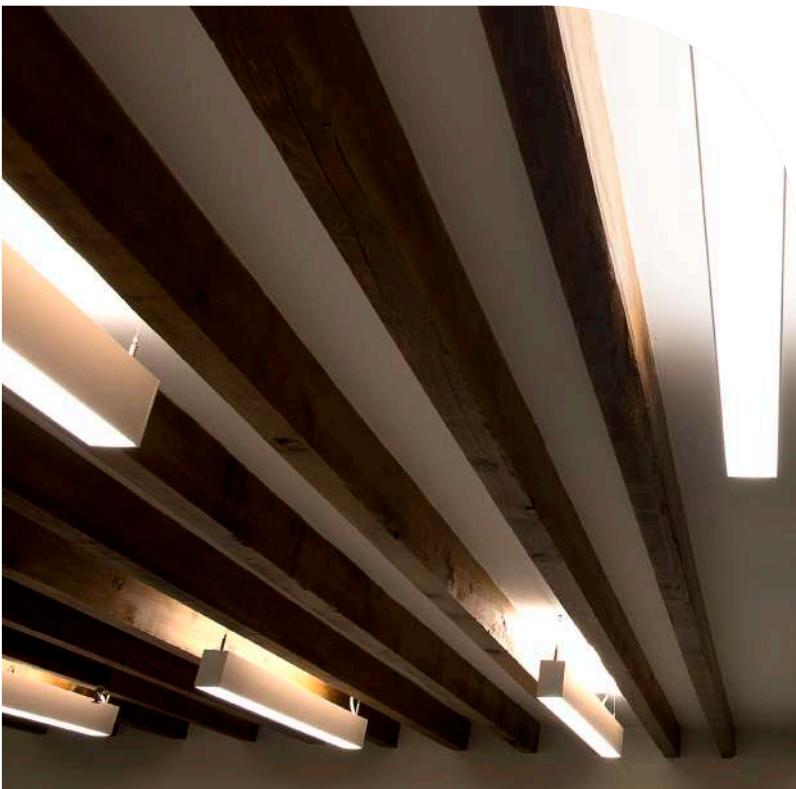
Patterns / Continuous runs / Individual

The linkable feature provides the freedom to create compelling light spaces, bend around corners or add dimension with patterns.

Linear Grid System

Design lighting to fit your space. The MKS Linear Grid System is ideal for homes, offices or conference rooms.

Page **82 - 89**



Up and Down Series

Light up your space with these dual light linear fixtures. These luminaires contain two lights for up and down lighting. They are the perfect light source to illuminate workspaces, hallways, and offices.

Page **90 - 95**

Application areas:

Commercial, residential, and professional work spaces



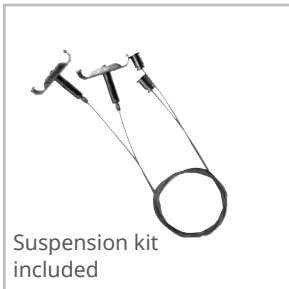
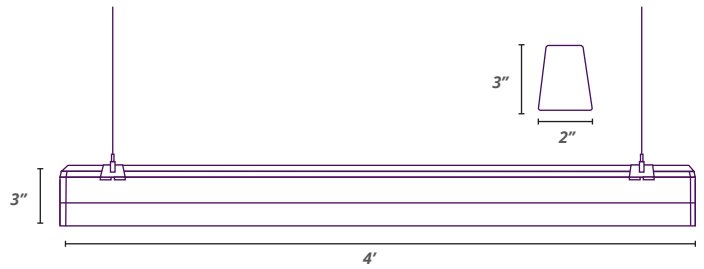


Linear Lights



Linear Grid System

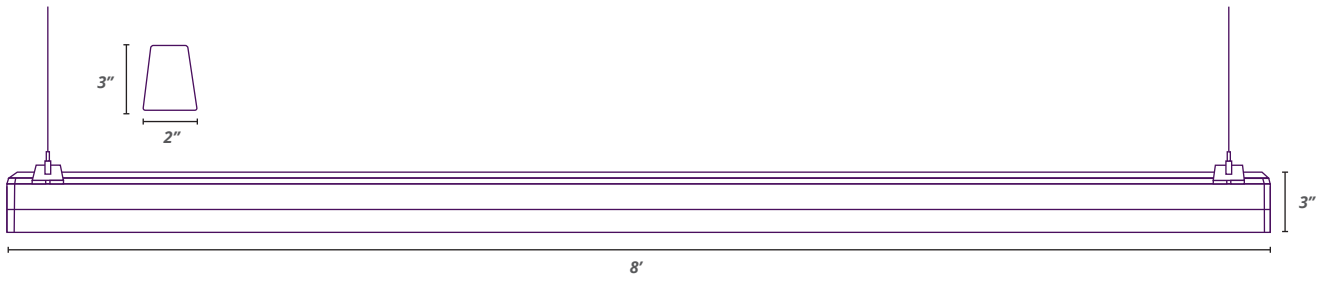
MKS Linear Fixtures
Linear Grid System



Features:

- A body made of die-cast aluminum allows passive cooling through heat dissipation
- Anti-glare lenses
- 4-foot linkable fixture
- Suspension wires and end caps included

Item#	Description	Watt	Lumen	Color Temp	Volt	Dimming	CRI	Size
81225-MKS	MKS/LAF/4/35K	40W	5200	3500K	100-277	0-10V	80	4'
81226-MKS	MKS/LAF/4/40K	40W	5200	4000K	100-277	0-10V	80	4'



Features:

- A body made of die-cast aluminum allows passive cooling through heat dissipation
- Anti-glare lenses
- 8-foot linkable fixture
- Suspension wires and end caps included

Item#	Description	Watt	Lumen	Color Temp	Volt	Dimming	CRI	Size
81230-MKS	MKS/LAF/8/35K	60W	7800	3500K	100-277	0-10V	80	8'
81231-MKS	MKS/LAF/8/40K	60W	7800	4000K	100-277	0-10V	80	8'

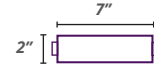
MKS Linear Lights

Connectors & Accessories

Straight connector without illumination



The straight connector allows for two linear fixtures to be connected.

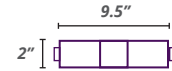


Item#	Description	Color Temp°
81246-MKS	MKS/LAA/SC/NL	-

Straight connector



The straight connector allows for two linear fixtures to be connected with a light source at the junction.

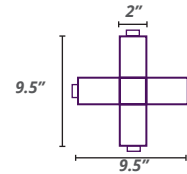


Item#	Description	Color Temp°
81244-MKS	MKS/LAA/SC/35K	3500K
81245-MKS	MKS/LAA/SC/40K	4000K

"X" connector



The "cross" connector allows for four linear fixtures to be connected in the shape of an "cross" with a light source at the junction.

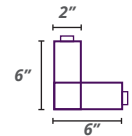


Item#	Description	Color Temp°
81242-MKS	MKS/LAA/XC/35K	3500K
81243-MKS	MKS/LAA/XC/40K	4000K

"L" connector



The "L" connector allows for two linear fixtures to be connected at 90 degrees with a light source at the junction.

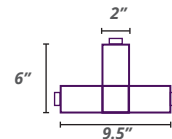


Item#	Description	Color Temp°
81240-MKS	MKS/LAA/LC/35K	3500K
81241-MKS	MKS/LAA/LC/40K	4000K

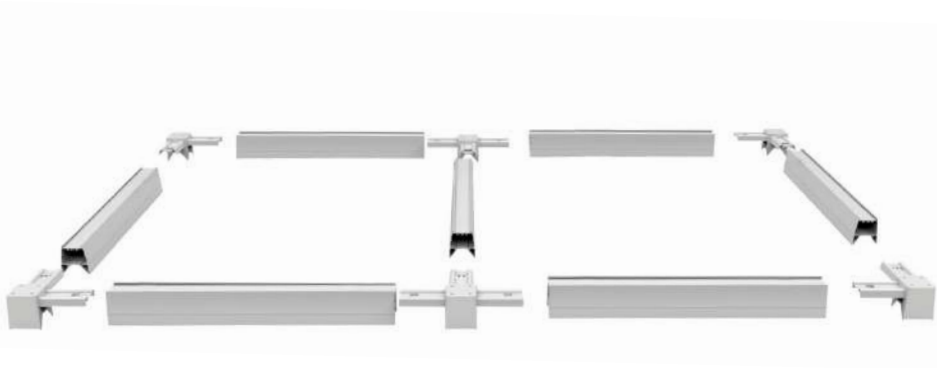
"T" connector



The "T" connector allows for three linear fixtures to be connected in the shape of a "T" with a light source at the junction.



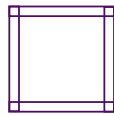
Item#	Description	Color Temp°
81238-MKS	MKS/LAA/TC/35K	3500K
81239-MKS	MKS/LAA/TC/40K	



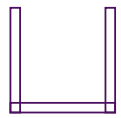
"T" Pattern



"L" Pattern



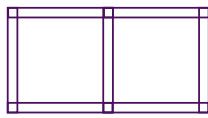
"Square" Pattern



"U" Pattern



"Cross" Pattern



"Rectangular" Pattern



Accessories

Canopy Suspension Kit



The canopy suspension kit allows for both suspension and power feed from a single J box. (Each 4 ft section needs to use two suspension points)

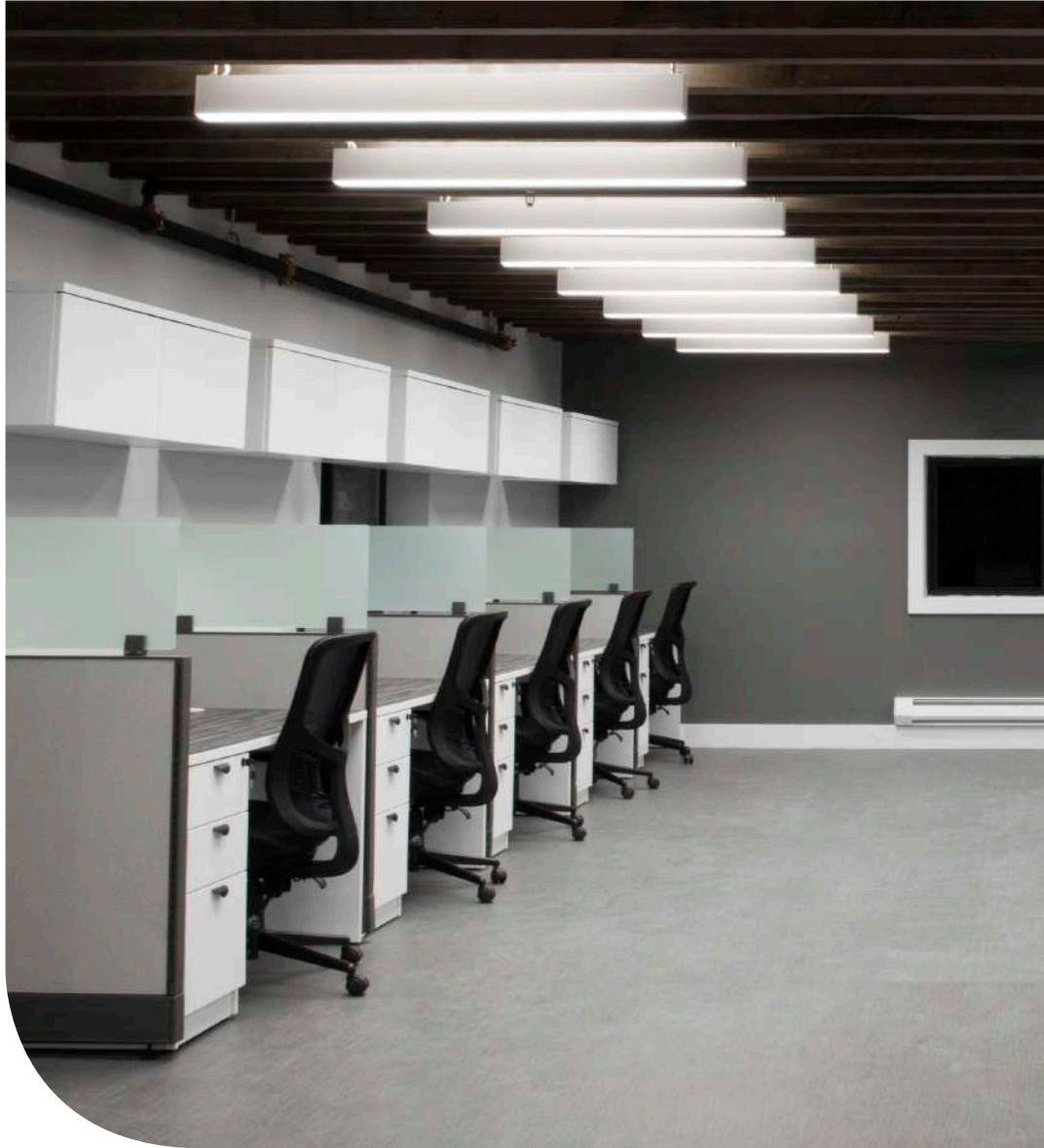
Item#	Description	Color Temp°
81248-MKS	MKS/LAA/SK	-

Live End Wire



Live end wire is used in conjunction with the canopy suspension kit

Item#	Description	Color Temp°
81247-MKS	MKS/LAA/LE	-





Linear Lights



Up and Down Series

MKS Linear Fixtures

Up and Down Series

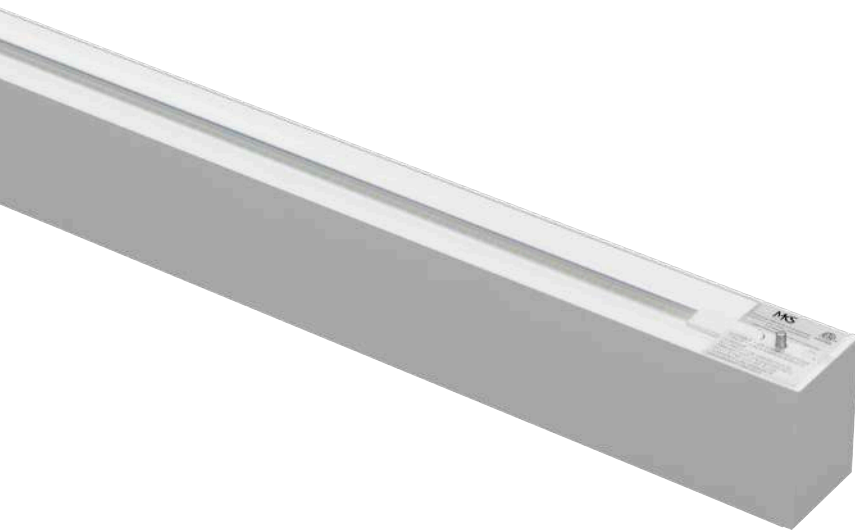


33 Watts | 1500 + 3000 Lumens



Direct Light & Indirect Light

The MKS direct and indirect line of linear fixtures is the ideal office lighting fixture for necessary light levels in a workspace as well as ambient illumination throughout the office.



Features:

- A body made of die-cast aluminum allows passive cooling through heat dissipation
- Anti-glare lenses
- 4-foot length
- Contains two lights for up (1,500 LM) and down (3,000 LM) lighting
- Suspension wires included

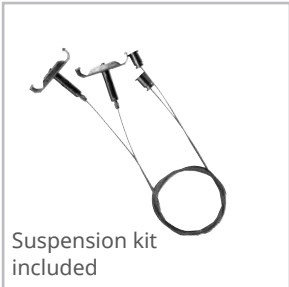
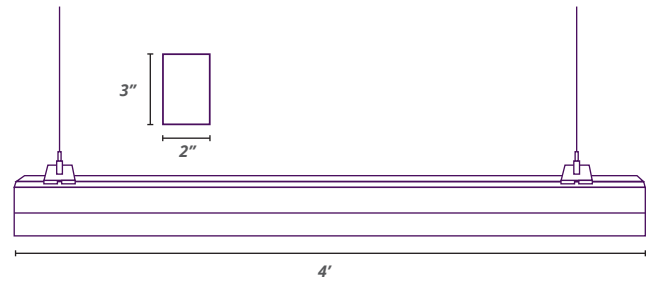
White finish

Item#	Description	Watt	Lumen	Color Temp	Volt	Dimming	CRI	Size
81232-MKS	MKS/ALD/4/35K	33W	↑1500 + ↓3000	3500K	100-227	0-10V	80+	4'
81233-MKS	MKS/ALD/4/40K	33W	↑1500 + ↓3000	4000K	100-227	0-10V	80+	4'
81442-MKS	MKS/ALD/8/35K	66W	↑3000 + ↓6000	3500K	100-227	0-10V	80+	8'
81443-MKS	MKS/ALD/8/40K	66W	↑3000 + ↓6000	4000K	100-227	0-10V	80+	8'

Silver finish

Item#	Description	Watt	Lumen	Color Temp	Volt	Dimming	CRI	Size
81234-MKS	MKS/ALD/4/35K	33W	↑1500 + ↓3000	3500K	100-227	0-10V	80+	4'
81235-MKS	MKS/ALD/4/40K	33W	↑1500 + ↓3000	4000K	100-227	0-10V	80+	4'

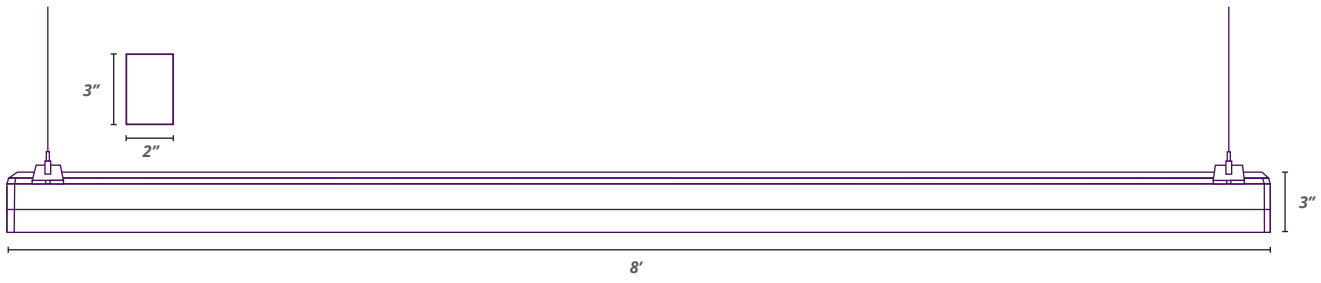
MKS Linear Lights
Direct Light Series



Features:

- A body made of die-cast aluminum allows passive cooling through heat dissipation
- Anti-glare lenses
- Available 4 FT & 8 FT
- Suspension wires and end caps included

Item#	Description	Watt	Lumen	Color Temp	Volt	Dimming	CRI	Size
81449-MKS	MKS/ALS/29W/4FT/40K/WH	29W	4000	4000K	100-227	0-10V	80+	4'
81451-MKS	MKS/ALS/57W/8FT/40K/WH	57W	8000	4000K	100-227	0-10V	80+	8'



Quality Assurance

LEDs are very similar to consumer electronics and quality really matters. MKS Linear Series rated over 60,000 hours.





Cylinders

Quality Built



Cree Chip

Delivers superior quality light

Cree's COB LEDs provide the highest efficacy available in the industry compared to competing COB LEDs of the same size and color. The enhanced performance of these LEDs can radically transform the output, efficacy, and size of LED luminaires. These luminaires are perfect for applications that need high-quality light output, such as retail shops, museums, high-end commercial, and medical centers.



The ERP tri-mode technology (0-10v, TRIAC & ELV) offers a large number of compatible dimmers.



MKS Limited Warranty covers against component defects in materials and workmanship for a period of 5 years from the date of purchase.

● Cameta™ Anti-glare glass



● Anti-rust aluminum extrusion

Anti-Rust Aluminum Extrusion

Precision CNC machined

CNC (computer numerical control) machined rustproof aluminum material ensures heat dissipation, durability, and high quality.

The Anti-Glare designed Lens decreases Halation and allows for smoothed edged finishes at the delivered light source.



Beam-Angle customization

Wide or narrow

Customize your interior lighting with these cylinders. There are multiple beam spread options per cylinder fixture.



Pendant
Page 100 - 105



Wall Mount
Page 106 - 111



Ceiling Mount
Page 112 - 117



These cylinders are available in black, white or custom finishes. Our cylinder lighting fixtures are available in a ceiling mount, pendant and up/down wall options. Cylinders are available in multiple diameters.

Application areas:

Retail shops, hotels, office spaces, restaurants and hospitality



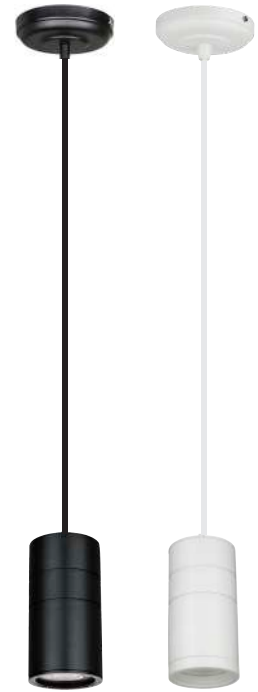


Cylinders



Pendant Series

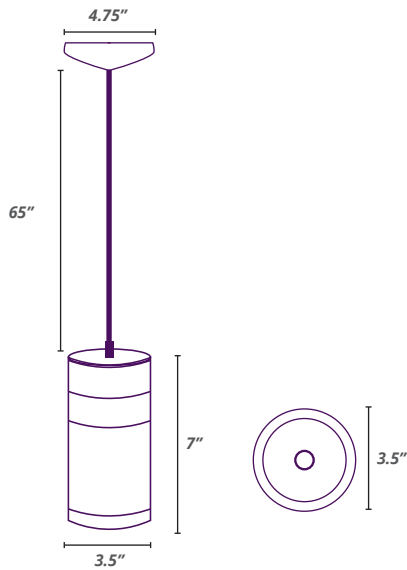
MKS | **Cylinders**
Pendants Series



Cree COB chip

20 Watts | 1390 Lumens





Features:

- A body made of die-cast aluminum allows passive cooling through heat dissipation
- Cree COB LED chip with 50,000 hours life span
- Cord length of 65 inches
- Black or white finishes

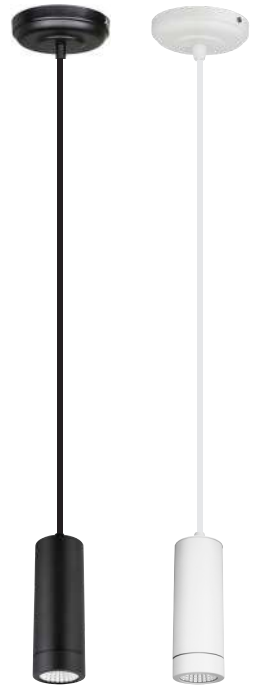
Black Finish (Standard)

Item#	Description	Watt	Lumen	Color Temp	Volt	Dimming	CRI	Beam °
Beam Angle 24°								
89405-MKS	MKS/CP/20W/24D/BK/27K	20W	1390+-	2700K	90-305	Phase & 0-10V	80	24°
89406-MKS	MKS/CP/20W/24D/BK/30K	20W	1390+-	3000K	90-305	Phase & 0-10V	80	24°
89407-MKS	MKS/CP/20W/24D/BK/35K	20W	1390+-	3500K	90-305	Phase & 0-10V	80	24°
89408-MKS	MKS/CP/20W/24D/BK/40K	20W	1390+-	4000K	90-305	Phase & 0-10V	80	24°
Beam Angle 38°								
89400-MKS	MKS/CP/20W/38D/BK/27K	20W	1390+-	2700K	90-305	Phase & 0-10V	80	38°
89401-MKS	MKS/CP/20W/38D/BK/30K	20W	1390+-	3000K	90-305	Phase & 0-10V	80	38°
89402-MKS	MKS/CP/20W/38D/BK/35K	20W	1390+-	3500K	90-305	Phase & 0-10V	80	38°
89403-MKS	MKS/CP/20W/38D/BK/40K	20W	1390+-	4000K	90-305	Phase & 0-10V	80	38°

White Finish (Standard)

Item#	Description	Watt	Lumen	Color Temp	Volt	Dimming	CRI	Beam °
Beam Angle 24°								
89415-MKS	MKS/CP/20W/24D/WH/27K	20W	1390+-	2700K	90-305	Phase & 0-10V	80	24°
89416-MKS	MKS/CP/20W/24D/WH/30K	20W	1390+-	3000K	90-305	Phase & 0-10V	80	24°
89417-MKS	MKS/CP/20W/24D/WH/35K	20W	1390+-	3500K	90-305	Phase & 0-10V	80	24°
89418-MKS	MKS/CP/20W/24D/WH/40K	20W	1390+-	4000K	90-305	Phase & 0-10V	80	24°
Beam Angle 38°								
89410-MKS	MKS/CP/20W/38D/WH/27K	20W	1390+-	2700K	90-305	Phase & 0-10V	80	38°
89411-MKS	MKS/CP/20W/38D/WH/30K	20W	1390+-	3000K	90-305	Phase & 0-10V	80	38°
89412-MKS	MKS/CP/20W/38D/WH/35K	20W	1390+-	3500K	90-305	Phase & 0-10V	80	38°
89413-MKS	MKS/CP/20W/38D/WH/40K	20W	1390+-	4000K	90-305	Phase & 0-10V	80	38°

MKS | **Cylinders**
Pendants Series



Beam Angle 20° | 40°
Available in black and white finish

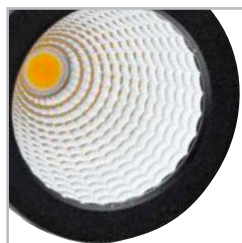
White Finish

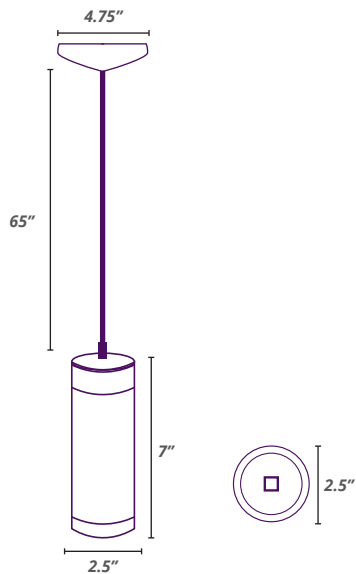
Black Finish

Mini

Cree COB chip

15 Watts | 1100 Lumens





Features:

- A body made of die-cast aluminum allows passive cooling through heat dissipation
- Cree COB LED chip with 50,000 hours life span
- Cord length of 65 inches
- Black or white finishes

Black Finish (Standard)

Item#	Description	Watt	Lumen	Color Temp	Volt	Dimming	CRI	Beam °
Beam Angle 20°								
99405-MKS	MKS/MCP/15W/20D/BK/27K	15W	1100+-	2700K	90-305	Phase & 0-10V	80	20°
99406-MKS	MKS/MCP/15W/20D/BK/30K	15W	1100+-	3000K	90-305	Phase & 0-10V	80	20°
99407-MKS	MKS/MCP/15W/20D/BK/35K	15W	1100+-	3500K	90-305	Phase & 0-10V	80	20°
99408-MKS	MKS/MCP/15W/20D/BK/40K	15W	1100+-	4000K	90-305	Phase & 0-10V	80	20°
Beam Angle 40°								
99400-MKS	MKS/MCP/15W/40D/BK/27K	15W	1100+-	2700K	90-305	Phase & 0-10V	80	40°
99401-MKS	MKS/MCP/15W/40D/BK/30K	15W	1100+-	3000K	90-305	Phase & 0-10V	80	40°
99402-MKS	MKS/MCP/15W/40D/BK/35K	15W	1100+-	3500K	90-305	Phase & 0-10V	80	40°
99403-MKS	MKS/MCP/15W/40D/BK/40K	15W	1100+-	4000K	90-305	Phase & 0-10V	80	40°

White Finish (Standard)

Item#	Description	Watt	Lumen	Color Temp	Volt	Dimming	CRI	Beam °
Beam Angle 20°								
99415-MKS	MKS/MCP/15W/20D/WH/27K	15W	1100+-	2700K	90-305	Phase & 0-10V	80	20°
99416-MKS	MKS/MCP/15W/20D/WH/30K	15W	1100+-	3000K	90-305	Phase & 0-10V	80	20°
99417-MKS	MKS/MCP/15W/20D/WH/35K	15W	1100+-	3500K	90-305	Phase & 0-10V	80	20°
99418-MKS	MKS/MCP/15W/20D/WH/40K	15W	1100+-	4000K	90-305	Phase & 0-10V	80	20°
Beam Angle 40°								
99410-MKS	MKS/MCP/15W/40D/WH/27K	15W	1100+-	2700K	90-305	Phase & 0-10V	80	40°
99411-MKS	MKS/MCP/15W/40D/WH/30K	15W	1100+-	3000K	90-305	Phase & 0-10V	80	40°
99412-MKS	MKS/MCP/15W/40D/WH/35K	15W	1100+-	3500K	90-305	Phase & 0-10V	80	40°
99413-MKS	MKS/MCP/15W/40D/WH/40K	15W	1100+-	4000K	90-305	Phase & 0-10V	80	40°





Cylinders



Surface Mount Series

Beam Angle 24° | 38°
Available in black and white finish



○ White Finish

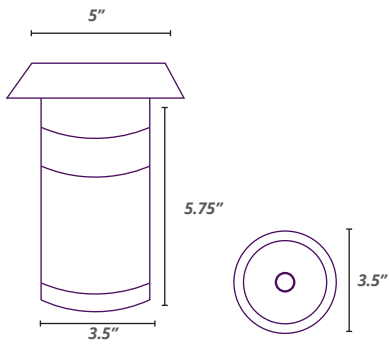
○ Black Finish

S tandard

Cree COB chip

20 Watts | 1390 Lumens





Features:

- A body made of die-cast aluminum allows passive cooling through heat dissipation
- Cree COB LED chip with 50,000 hours life span
- Black or white finishes

Black Finish (Standard)

Item#	Description	Watt	Lumen	Color Temp	Volt	Dimming	CRI	Beam °
Beam Angle 24°								
89465-MKS	MKS/CS/20W/24D/BK/27K	20W	1390+-	2700K	90-305	Phase & 0-10V	80	24°
89466-MKS	MKS/CS/20W/24D/BK/30K	20W	1390+-	3000K	90-305	Phase & 0-10V	80	24°
89467-MKS	MKS/CS/20W/24D/BK/35K	20W	1390+-	3500K	90-305	Phase & 0-10V	80	24°
89468-MKS	MKS/CS/20W/24D/BK/40K	20W	1390+-	4000K	90-305	Phase & 0-10V	80	24°
Beam Angle 38°								
89460-MKS	MKS/CS/20W/38D/BK/27K	20W	1390+-	2700K	90-305	Phase & 0-10V	80	38°
89461-MKS	MKS/CS/20W/38D/BK/30K	20W	1390+-	3000K	90-305	Phase & 0-10V	80	38°
89462-MKS	MKS/CS/20W/38D/BK/35K	20W	1390+-	3500K	90-305	Phase & 0-10V	80	38°
89463-MKS	MKS/CS/20W/38D/BK/40K	20W	1390+-	4000K	90-305	Phase & 0-10V	80	38°

White Finish (Standard)

Item#	Description	Watt	Lumen	Color Temp	Volt	Dimming	CRI	Beam °
Beam Angle 24°								
89475-MKS	MKS/CS/20W/24D/WH/27K	20W	1390+-	2700K	90-305	Phase & 0-10V	80	24°
89476-MKS	MKS/CS/20W/24D/WH/30K	20W	1390+-	3000K	90-305	Phase & 0-10V	80	24°
89477-MKS	MKS/CS/20W/24D/WH/35K	20W	1390+-	3500K	90-305	Phase & 0-10V	80	24°
89478-MKS	MKS/CS/20W/24D/WH/40K	20W	1390+-	4000K	90-305	Phase & 0-10V	80	24°
Beam Angle 38°								
89470-MKS	MKS/CS/20W/38D/WH/27K	20W	1390+-	2700K	90-305	Phase & 0-10V	80	38°
89471-MKS	MKS/CS/20W/38D/WH/30K	20W	1390+-	3000K	90-305	Phase & 0-10V	80	38°
89472-MKS	MKS/CS/20W/38D/WH/35K	20W	1390+-	3500K	90-305	Phase & 0-10V	80	38°
89473-MKS	MKS/CS/20W/38D/WH/40K	20W	1390+-	4000K	90-305	Phase & 0-10V	80	38°

MKS | **Cylinders**
Surface Mount Series

Beam Angle 20° | 40°
Available in black and white finish



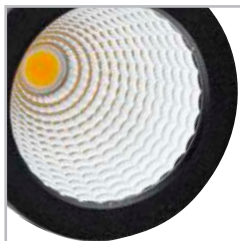
White Finish

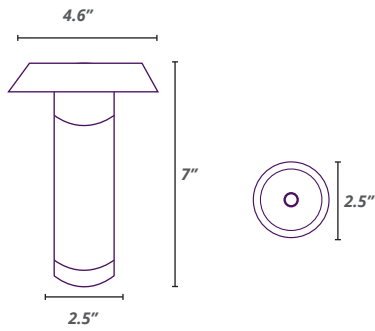
Black Finish

Mini

Cree COB chip

15 Watts | 1100 Lumens





Features:

- A body made of die-cast aluminum allows passive cooling through heat dissipation
- Cree COB LED chip with 50,000 hours life span
- Black or white finishes

Black Finish (Standard)

Item#	Description	Watt	Lumen	Color Temp	Volt	Dimming	CRI	Beam °
Beam Angle 20°								
99465-MKS	MKS/MCS/15W/20D/BK/27K	15W	1100+-	2700K	90-305	Phase & 0-10V	80	20°
99466-MKS	MKS/MCS/15W/20D/BK/30K	15W	1100+-	3000K	90-305	Phase & 0-10V	80	20°
99467-MKS	MKS/MCS/15W/20D/BK/35K	15W	1100+-	3500K	90-305	Phase & 0-10V	80	20°
99468-MKS	MKS/MCS/15W/20D/BK/40K	15W	1100+-	4000K	90-305	Phase & 0-10V	80	20°
Beam Angle 40°								
99460-MKS	MKS/MCS/15W/40D/BK/27K	15W	1100+-	2700K	90-305	Phase & 0-10V	80	40°
99461-MKS	MKS/MCS/15W/40D/BK/30K	15W	1100+-	3000K	90-305	Phase & 0-10V	80	40°
99462-MKS	MKS/MCS/15W/40D/BK/35K	15W	1100+-	3500K	90-305	Phase & 0-10V	80	40°
99463-MKS	MKS/MCS/15W/40D/BK/40K	15W	1100+-	4000K	90-305	Phase & 0-10V	80	40°

White Finish (Standard)

Item#	Description	Watt	Lumen	Color Temp	Volt	Dimming	CRI	Beam °
Beam Angle 20°								
99475-MKS	MKS/MCS/15W/20D/WH/27K	15W	1100+-	2700K	90-305	Phase & 0-10V	80	20°
99476-MKS	MKS/MCS/15W/20D/WH/30K	15W	1100+-	3000K	90-305	Phase & 0-10V	80	20°
99477-MKS	MKS/MCS/15W/20D/WH/35K	15W	1100+-	3500K	90-305	Phase & 0-10V	80	20°
99478-MKS	MKS/MCS/15W/20D/WH/40K	15W	1100+-	4000K	90-305	Phase & 0-10V	80	20°
Beam Angle 40°								
99470-MKS	MKS/MCS/15W/40D/WH/27K	15W	1100+-	2700K	90-305	Phase & 0-10V	80	40°
99471-MKS	MKS/MCS/15W/40D/WH/30K	15W	1100+-	3000K	90-305	Phase & 0-10V	80	40°
99472-MKS	MKS/MCS/15W/40D/WH/35K	15W	1100+-	3500K	90-305	Phase & 0-10V	80	40°
99473-MKS	MKS/MCS/15W/40D/WH/40K	15W	1100+-	4000K	90-305	Phase & 0-10V	80	40°





Cylinders



Wall Mount Series

Beam Angle 24° | 38°
Available in black and white finish



White Finish

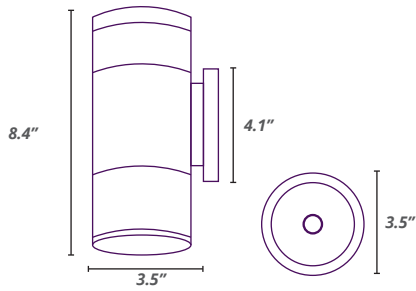
Black Finish

S tandard

Cree COB chip

32 Watts | 1900 Lumens





Features:

- A body made of die-cast aluminum allows passive cooling through heat dissipation
- Cree COB LED chip with 50,000 hours life span
- Black or white finishes
- Two-lights up/down wall mount fixture

Black Finish (Standard)

Item#	Description	Watt	Lumen	Color Temp	Volt	Dimming	CRI	Beam °
Beam Angle 24°								
89425-MKS	MKS/CW/20W/24D/BK/27K	20W	1900+-	2700K	90-305	Phase & 0-10V	80	24°
89426-MKS	MKS/CW/20W/24D/BK/30K	20W	1900+-	3000K	90-305	Phase & 0-10V	80	24°
89427-MKS	MKS/CW/20W/24D/BK/35K	20W	1900+-	3500K	90-305	Phase & 0-10V	80	24°
89428-MKS	MKS/CW/20W/24D/BK/40K	20W	1900+-	4000K	90-305	Phase & 0-10V	80	24°
Beam Angle 38°								
89420-MKS	MKS/CW/20W/38D/BK/27K	20W	1900+-	2700K	90-305	Phase & 0-10V	80	38°
89421-MKS	MKS/CW/20W/38D/BK/30K	20W	1900+-	3000K	90-305	Phase & 0-10V	80	38°
89422-MKS	MKS/CW/20W/38D/BK/35K	20W	1900+-	3500K	90-305	Phase & 0-10V	80	38°
89423-MKS	MKS/CW/20W/38D/BK/40K	20W	1900+-	4000K	90-305	Phase & 0-10V	80	38°

White Finish (Standard)

Item#	Description	Watt	Lumen	Color Temp	Volt	Dimming	CRI	Beam °
Beam Angle 24°								
89435-MKS	MKS/CW/20W/24D/WH/27K	20W	1900+-	2700K	90-305	Phase & 0-10V	80	24°
89436-MKS	MKS/CW/20W/24D/WH/30K	20W	1900+-	3000K	90-305	Phase & 0-10V	80	24°
89437-MKS	MKS/CW/20W/24D/WH/35K	20W	1900+-	3500K	90-305	Phase & 0-10V	80	24°
89438-MKS	MKS/CW/20W/24D/WH/40K	20W	1900+-	4000K	90-305	Phase & 0-10V	80	24°
Beam Angle 38°								
89430-MKS	MKS/CW/20W/38D/WH/27K	20W	1900+-	2700K	90-305	Phase & 0-10V	80	38°
89431-MKS	MKS/CW/20W/38D/WH/30K	20W	1900+-	3000K	90-305	Phase & 0-10V	80	38°
89432-MKS	MKS/CW/20W/38D/WH/35K	20W	1900+-	3500K	90-305	Phase & 0-10V	80	38°
89433-MKS	MKS/CW/20W/38D/WH/40K	20W	1900+-	4000K	90-305	Phase & 0-10V	80	38°

Beam Angle 20° | 40°
Available in black and white finish



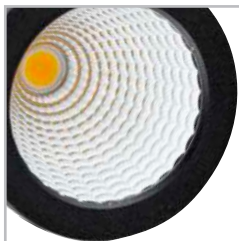
White Finish

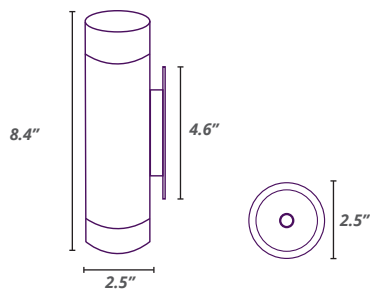
Black Finish

Mini

Cree COB chip

20 Watts | 2160 Lumens





Features:

- A body made of die-cast aluminum allows passive cooling through heat dissipation
- Cree COB LED chip with 50,000 hours life span
- Black or white finishes
- Two-lights up/down wall mount fixture

Black Finish (Standard)

Item#	Description	Watt	Lumen	Color Temp	Volt	Dimming	CRI	Beam °
Beam Angle 20°								
99425-MKS	MKS/MCW/20W/20D/BK/27K	20W	2160+-	2700K	90-305	Phase & 0-10V	80	20°
99426-MKS	MKS/MCW/20W/20D/BK/30K	20W	2160+-	3000K	90-305	Phase & 0-10V	80	20°
99427-MKS	MKS/MCW/20W/20D/BK/35K	20W	2160+-	3500K	90-305	Phase & 0-10V	80	20°
99428-MKS	MKS/MCW/20W/20D/BK/40K	20W	2160+-	4000K	90-305	Phase & 0-10V	80	20°
Beam Angle 40°								
99420-MKS	MKS/MCW/20W/40D/BK/27K	20W	2160+-	2700K	90-305	Phase & 0-10V	80	40°
99421-MKS	MKS/MCW/20W/40D/BK/30K	20W	2160+-	3000K	90-305	Phase & 0-10V	80	40°
99422-MKS	MKS/MCW/20W/40D/BK/35K	20W	2160+-	3500K	90-305	Phase & 0-10V	80	40°
99423-MKS	MKS/MCW/20W/40D/BK/40K	20W	2160+-	4000K	90-305	Phase & 0-10V	80	40°

White Finish (Standard)

Item#	Description	Watt	Lumen	Color Temp	Volt	Dimming	CRI	Beam °
Beam Angle 20°								
99435-MKS	MKS/MCW/20W/20D/WH/27K	20W	2160+-	2700K	90-305	Phase & 0-10V	80	20°
99436-MKS	MKS/MCW/20W/20D/WH/30K	20W	2160+-	3000K	90-305	Phase & 0-10V	80	20°
99437-MKS	MKS/MCW/20W/20D/WH/35K	20W	2160+-	3500K	90-305	Phase & 0-10V	80	20°
99438-MKS	MKS/MCW/20W/20D/WH/40K	20W	2160+-	4000K	90-305	Phase & 0-10V	80	20°
Beam Angle 40°								
99430-MKS	MKS/MCW/20W/40D/WH/27K	20W	2160+-	2700K	90-305	Phase & 0-10V	80	40°
99431-MKS	MKS/MCW/20W/40D/WH/30K	20W	2160+-	3000K	90-305	Phase & 0-10V	80	40°
99432-MKS	MKS/MCW/20W/40D/WH/35K	20W	2160+-	3500K	90-305	Phase & 0-10V	80	40°
99433-MKS	MKS/MCW/20W/40D/WH/40K	20W	2160+-	4000K	90-305	Phase & 0-10V	80	40°





Track Lights

Quality Built



Cree Chip

Delivers superior quality light

Cree's COB LEDs provide the highest efficacy available in the industry compared to competing COB LEDs of the same size and color. The enhanced performance of these LEDs can radically transform the output, efficacy, and size of LED luminaires. These luminaires are perfect for applications that need high-quality light output, such as retail shops, museums, high-end commercial, and medical centers.



Smooth Dimming range from 100% to 10% without flicker



MKS Limited Warranty covers against component defects in materials and workmanship for a period of 5 years from the date of purchase



CRI 90+, High color rendering index provides near-sunlight quality light for true color rendering



Energy Star is a voluntary program launched by the U.S. Environmental Protection Agency and now managed by the EPA and the U.S. Department of Energy that helps businesses and individuals save money and protect the environment through superior energy efficiency.



3 Size Options

2" / 2.7" / 3.5" Diameter

Choose the right track heads for your application. MKS track heads are available in various sizes with different lumen output. Based on your design requirements, there are black or white finishes.



Tilt Angle 90°

Adjustable multi-directional lighting

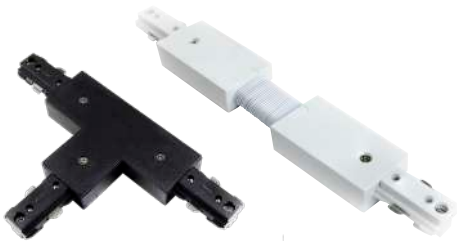
The MKS track lights allow for a 350-degree rotation with a 90-degree tilt. The 2-axis rotation allows for precise adjustments for your preferred application.



On Track

Simple and easy to replace

The MKS track heads are made of aluminum extrusion and can be powered using MKS tracks. These track light heads can also run on existing Halo and Nordic-Eco tracks. Other track adapter options are available.



Track Customization

Your way and direction

The MKS specification grade track-lights are ideal for directional accent lighting. The complete array of track accessories are available to fit your project.



Application areas:

Shops, galleries, hotels, homes, schools, and hospitality

MKS Track lights
2" Track Light Head

Beam Angle 24° | 38° | 60°
Available in black and white finish

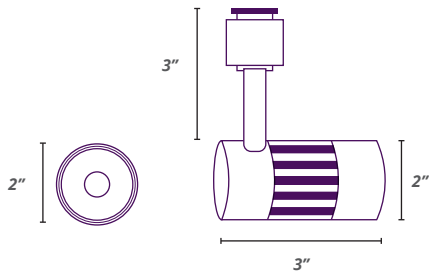


White Finish

Black Finish

8w

Cree Chip **2" Dia | 774 Lumens**



Features:

- A body made of die-cast aluminum allows passive cooling through heat dissipation
- CREE LED chip with 50,000 hours life span
- Two-axis gimble to rotate 350° and tilt 90°
- 90+ CRI
- Black and white finishes available
- Multiple beam spread options

Beam°	Black	White	Description	Watt	Lumen	Color Temp	Volt	Dimming	CRI
24°	89800-MKS	89806-MKS	MKS/TRX/HA/8W/24D/{BK WH}/27K	8W	734+-	2700K	120	Phase	90
	89818-MKS	89812-MKS	MKS/TRX/HA/8W/24D/{BK WH}/30K	8W	754+-	3000K	120	Phase	90
	89830-MKS	89824-MKS	MKS/TRX/HA/8W/24D/{BK WH}/40K	8W	774+-	4000K	120	Phase	90
	89842-MKS	89836-MKS	MKS/TRX/HA/8W/24D/{BK WH}/50K	8W	774+-	5000K	120	Phase	90
38°	89807-MKS	89801-MKS	MKS/TRX/HA/8W/38D/{BK WH}/27K	8W	730+-	2700K	120	Phase	90
	89819-MKS	89813-MKS	MKS/TRX/HA/8W/38D/{BK WH}/30K	8W	750+-	3000K	120	Phase	90
	89831-MKS	89825-MKS	MKS/TRX/HA/8W/38D/{BK WH}/40K	8W	770+-	4000K	120	Phase	90
	89843-MKS	89837-MKS	MKS/TRX/HA/8W/38D/{BK WH}/50K	8W	770+-	5000K	120	Phase	90
60°	89808-MKS	89802-MKS	MKS/TRX/HA/8W/60D/{BK WH}/27K	8W	728+-	2700K	120	Phase	90
	89820-MKS	89814-MKS	MKS/TRX/HA/8W/60D/{BK WH}/30K	8W	748+-	3000K	120	Phase	90
	89832-MKS	89826-MKS	MKS/TRX/HA/8W/60D/{BK WH}/40K	8W	768+-	4000K	120	Phase	90
	89844-MKS	89838-MKS	MKS/TRX/HA/8W/60D/{BK WH}/50K	8W	768+-	5000K	120	Phase	90

MKS Track lights
2.7" Track Light Head

Beam Angle 15° | 24° | 38° | 60°
Available in black and white finish

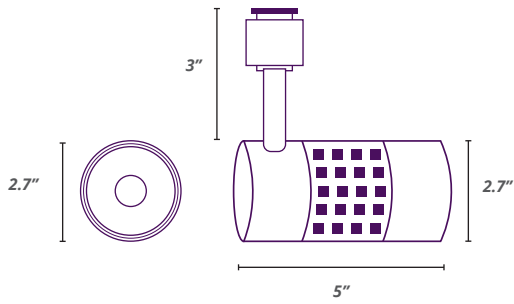


White Finish

Black Finish

15W

Cree Chip **2.7" Dia | 1459 Lumens**



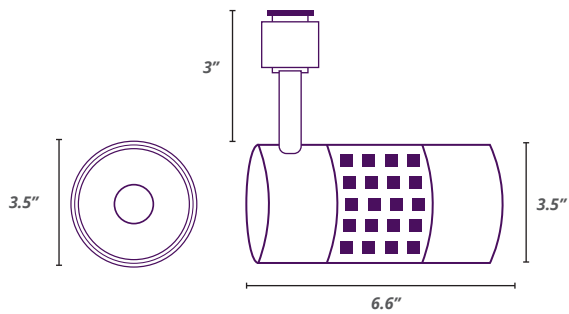
Features:

- A body made of die-cast aluminum allows passive cooling through heat dissipation
- CREE LED chip with 50,000 hours life span
- Two-axis gimble to rotate 350° and tilt 90°
- 90+ CRI
- Black and white finishes available
- Multiple beam spread options

Beam°	Black	White	Description	Watt	Lumen	Color Temp	Volt	Dimming	CRI
15°	89508-MKS	89500-MKS	MKS/TRX/HA/15W/15D/{BK WH}/27K	15W	1384+-	2700K	120	Phase	90
	89524-MKS	89516-MKS	MKS/TRX/HA/15W/15D/{BK WH}/30K	15W	1409+-	3000K	120	Phase	90
	89540-MKS	89532-MKS	MKS/TRX/HA/15W/15D/{BK WH}/40K	15W	1434+-	4000K	120	Phase	90
	89556-MKS	89548-MKS	MKS/TRX/HA/15W/15D/{BK WH}/50K	15W	1459+-	5000K	120	Phase	90
24°	89509-MKS	89501-MKS	MKS/TRX/HA/15W/24D/{BK WH}/27K	15W	1379+-	2700K	120	Phase	90
	89525-MKS	89517-MKS	MKS/TRX/HA/15W/24D/{BK WH}/30K	15W	1404+-	3000K	120	Phase	90
	89541-MKS	89533-MKS	MKS/TRX/HA/15W/24D/{BK WH}/40K	15W	1429+-	4000K	120	Phase	90
	89557-MKS	89549-MKS	MKS/TRX/HA/15W/24D/{BK WH}/50K	15W	1454+-	5000K	120	Phase	90
38°	89510-MKS	89502-MKS	MKS/TRX/HA/15W/38D/{BK WH}/27K	15W	1375+-	2700K	120	Phase	90
	89526-MKS	89518-MKS	MKS/TRX/HA/15W/38D/{BK WH}/30K	15W	1400+-	3000K	120	Phase	90
	89542-MKS	89534-MKS	MKS/TRX/HA/15W/38D/{BK WH}/40K	15W	1425+-	4000K	120	Phase	90
	89558-MKS	89550-MKS	MKS/TRX/HA/15W/38D/{BK WH}/50K	15W	1450+-	5000K	120	Phase	90
60°	89511-MKS	89503-MKS	MKS/TRX/HA/15W/60D/{BK WH}/27K	15W	1373+-	2700K	120	Phase	90
	89527-MKS	89519-MKS	MKS/TRX/HA/15W/60D/{BK WH}/30K	15W	1398+-	3000K	120	Phase	90
	89543-MKS	89535-MKS	MKS/TRX/HA/15W/60D/{BK WH}/40K	15W	1423+-	4000K	120	Phase	90
	89559-MKS	89551-MKS	MKS/TRX/HA/15W/60D/{BK WH}/50K	15W	1448+-	5000K	120	Phase	90

MKS Track lights
3.5" Track Light Head





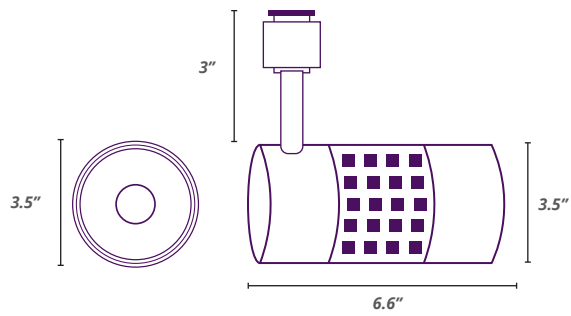
Features:

- A body made of die-cast aluminum allows passive cooling through heat dissipation
- CREE LED chip with 50,000 hours life span
- Two-axis gimble to rotate 350° and tilt 90°
- 90+ CRI
- Black and white finishes available
- Multiple beam spread options

Beam°	Black	White	Description	Watt	Lumen	Color Temp	Volt	Dimming	CRI
15°	89610-MKS	89600-MKS	MKS/TRX/HA/25W/15D/{BK WH}/27K	25W	2134+-	2700K	120	Phase	90
	89630-MKS	89620-MKS	MKS/TRX/HA/25W/15D/{BK WH}/30K	25W	2259+-	3000K	120	Phase	90
	89650-MKS	89640-MKS	MKS/TRX/HA/25W/15D/{BK WH}/40K	25W	2384+-	4000K	120	Phase	90
	89670-MKS	89660-MKS	MKS/TRX/HA/25W/15D/{BK WH}/50K	25W	2509+-	5000K	120	Phase	90
24°	89611-MKS	89601-MKS	MKS/TRX/HA/25W/24D/{BK WH}/27K	25W	2129+-	2700K	120	Phase	90
	89631-MKS	89621-MKS	MKS/TRX/HA/25W/24D/{BK WH}/30K	25W	2254+-	3000K	120	Phase	90
	89651-MKS	89641-MKS	MKS/TRX/HA/25W/24D/{BK WH}/40K	25W	2379+-	4000K	120	Phase	90
	89671-MKS	89661-MKS	MKS/TRX/HA/25W/24D/{BK WH}/50K	25W	2504+-	5000K	120	Phase	90
38°	89612-MKS	89602-MKS	MKS/TRX/HA/25W/38D/{BK WH}/27K	25W	2125+-	2700K	120	Phase	90
	89632-MKS	89622-MKS	MKS/TRX/HA/25W/38D/{BK WH}/30K	25W	2250+-	3000K	120	Phase	90
	89652-MKS	89642-MKS	MKS/TRX/HA/25W/38D/{BK WH}/40K	25W	2375+-	4000K	120	Phase	90
	89672-MKS	89662-MKS	MKS/TRX/HA/25W/38D/{BK WH}/50K	25W	2500+-	5000K	120	Phase	90
60°	89613-MKS	89603-MKS	MKS/TRX/HA/25W/60D/{BK WH}/27K	25W	2123+-	2700K	120	Phase	90
	89633-MKS	89623-MKS	MKS/TRX/HA/25W/60D/{BK WH}/30K	25W	2248+-	3000K	120	Phase	90
	89653-MKS	89643-MKS	MKS/TRX/HA/25W/60D/{BK WH}/40K	25W	2373+-	4000K	120	Phase	90
	89673-MKS	89663-MKS	MKS/TRX/HA/25W/60D/{BK WH}/50K	25W	2498+-	5000K	120	Phase	90
90°	89614-MKS	89604-MKS	MKS/TRX/HA/25W/90D/{BK WH}/27K	25W	2118+-	2700K	120	Phase	90
	89634-MKS	89624-MKS	MKS/TRX/HA/25W/90D/{BK WH}/30K	25W	2243+-	3000K	120	Phase	90
	89654-MKS	89644-MKS	MKS/TRX/HA/25W/90D/{BK WH}/40K	25W	2368+-	4000K	120	Phase	90
	89674-MKS	89664-MKS	MKS/TRX/HA/25W/90D/{BK WH}/50K	25W	2493+-	5000K	120	Phase	90

MKS Track lights
3.5" Track Light Head

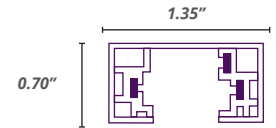




Features:

- A body made of die-cast aluminum allows passive cooling through heat dissipation
- CREE LED chip with 50,000 hours life span
- Two-axis gimble to rotate 350° and tilt 90°
- 90+ CRI
- Black and white finishes available
- Multiple beam spread options

Beam°	Black	White	Description	Watt	Lumen	Color Temp	Volt	Dimming	CRI
15°	89710-MKS	89700-MKS	MKS/TRX/HA/36W/15D/{BK WH}/27K	36W	2759+-	2700K	120	Phase	90
	89730-MKS	89720-MKS	MKS/TRX/HA/36W/15D/{BK WH}/30K	36W	3009+-	3000K	120	Phase	90
	89750-MKS	89740-MKS	MKS/TRX/HA/36W/15D/{BK WH}/40K	36W	3159+-	4000K	120	Phase	90
	89770-MKS	89760-MKS	MKS/TRX/HA/36W/15D/{BK WH}/50K	36W	3259+-	5000K	120	Phase	90
24°	89711-MKS	89701-MKS	MKS/TRX/HA/36W/24D/{BK WH}/27K	36W	2754+-	2700K	120	Phase	90
	89731-MKS	89721-MKS	MKS/TRX/HA/36W/24D/{BK WH}/30K	36W	3004+-	3000K	120	Phase	90
	89751-MKS	89741-MKS	MKS/TRX/HA/36W/24D/{BK WH}/40K	36W	3154+-	4000K	120	Phase	90
	89771-MKS	89761-MKS	MKS/TRX/HA/36W/24D/{BK WH}/50K	36W	3254+-	5000K	120	Phase	90
38°	89712-MKS	89702-MKS	MKS/TRX/HA/36W/38D/{BK WH}/27K	36W	2750+-	2700K	120	Phase	90
	89732-MKS	89722-MKS	MKS/TRX/HA/36W/38D/{BK WH}/30K	36W	3000+-	3000K	120	Phase	90
	89752-MKS	89742-MKS	MKS/TRX/HA/36W/38D/{BK WH}/40K	36W	3150+-	4000K	120	Phase	90
	89772-MKS	89762-MKS	MKS/TRX/HA/36W/38D/{BK WH}/50K	36W	3250+-	5000K	120	Phase	90
60°	89713-MKS	89703-MKS	MKS/TRX/HA/36W/60D/{BK WH}/27K	36W	2748+-	2700K	120	Phase	90
	89733-MKS	89723-MKS	MKS/TRX/HA/36W/60D/{BK WH}/30K	36W	2998+-	3000K	120	Phase	90
	89753-MKS	89743-MKS	MKS/TRX/HA/36W/60D/{BK WH}/40K	36W	3148+-	4000K	120	Phase	90
	89773-MKS	89763-MKS	MKS/TRX/HA/36W/60D/{BK WH}/50K	36W	3248+-	5000K	120	Phase	90
90°	89714-MKS	89704-MKS	MKS/TRX/HA/36W/90D/{BK WH}/27K	36W	2743+-	2700K	120	Phase	90
	89734-MKS	89724-MKS	MKS/TRX/HA/36W/90D/{BK WH}/30K	36W	2993+-	3000K	120	Phase	90
	89754-MKS	89744-MKS	MKS/TRX/HA/36W/90D/{BK WH}/40K	36W	3143+-	4000K	120	Phase	90
	89774-MKS	89764-MKS	MKS/TRX/HA/36W/90D/{BK WH}/50K	36W	3243+-	5000K	120	Phase	90



Black Finish Tracks

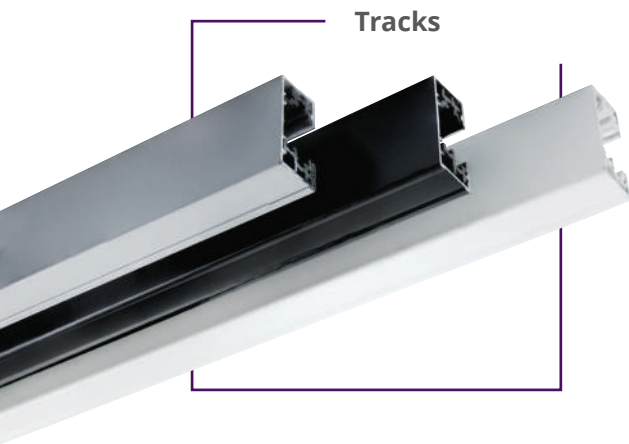
Item#	Description	Finish	Size
85001-MKS	MKS/TRXA/TR/2/BK	Black	2
85004-MKS	MKS/TRXA/TR/4/BK	Black	4
85007-MKS	MKS/TRXA/TR/6/BK	Black	6
85010-MKS	MKS/TRXA/TR/8/BK	Black	8
85078-MKS	MKS/TRXA/TR/12/BK	Black	12

White Finish Tracks

Item#	Description	Finish	Size
85002-MKS	MKS/TRXA/TR/2/WH	White	2
85005-MKS	MKS/TRXA/TR/4/WH	White	4
85008-MKS	MKS/TRXA/TR/6/WH	White	6
85011-MKS	MKS/TRXA/TR/8/WH	White	8
85074-MKS	MKS/TRXA/TR/12/WH	White	12

Silver Finish Tracks

Item#	Description	Finish	Size
85003-MKS	MKS/TRXA/TR/2/SL	Silver	2
85006-MKS	MKS/TRXA/TR/4/SL	Silver	4
85009-MKS	MKS/TRXA/TR/6/SL	Silver	6
85012-MKS	MKS/TRXA/TR/8/SL	Silver	8
85079-MKS	MKS/TRXA/TR/12/SL	Silver	12



Tracks

Monopoint



Plug-in a single track head (300W max)

Item#	Description	Color	Size
85065-MKS	MKS/TRXA/MP/BK	Black	4.6" x 4.6"
85066-MKS	MKS/TRXA/MP/WH	White	4.6" x 4.6"

Track suspension kits

Use a suspension kit every four feet of track.

Item#	Description	Color	Size
85047-MKS	MKS/TRXA/SK/BK	Black	5'
85048-MKS	MKS/TRXA/SK/5/WH	White	5'
85049-MKS	MKS/TRXA/SK/12/WH	White	12'

Track Suspension Wire Kit



Use to power anywhere along the track run.

Item#	Description	Color	Size
85059-MKS	MKS/TRXA/FC/BK	Black	4.2" x 4.2"
85060-MKS	MKS/TRXA/FC/WH	White	4.2" x 4.2"

Floating Canopy



Add support to suspended track.

Item#	Description	Color	Size
85044-MKS	MKS/TRXA/TP/BK	Black	-
85045-MKS	MKS/TRXA/TP/WH	White	-

Track Reinforcement Plate



Four inch cover plate for live end feed mounted on the junction box.

Item#	Description	Color	Size
85062-MKS	MKS/TRXA/OC/BK	Black	5" x 5"
85063-MKS	MKS/TRXA/OC/WH	White	5" x 5"

Outlet Box Cover



Live End Connector



Powers the start of a track run.

Item#	Description	Color	Size
85020-MKS	MKS/TRXA/LC/BK	Black	4.2" x 1.4"
85021-MKS	MKS/TRXA/LC/WH	White	4.2" x 1.4"

Straight Connector with Power Feed



Connects two track sections end-to-end.

Item#	Description	Color	Size
85029-MKS	MKS/TRXA/SC/BK	Black	4.6" x 1.4"
85030-MKS	MKS/TRXA/SC/WH	White	4.6" x 1.4"

Mini Joiner



Low profile connector to join two straight tracks end-to-end.

Item#	Description	Color	Size
85026-MKS	MKS/TRXA/MJ/BK	Black	3.1" x 0.8"
85027-MKS	MKS/TRXA/MJ/WH	White	3.1" x 0.8"

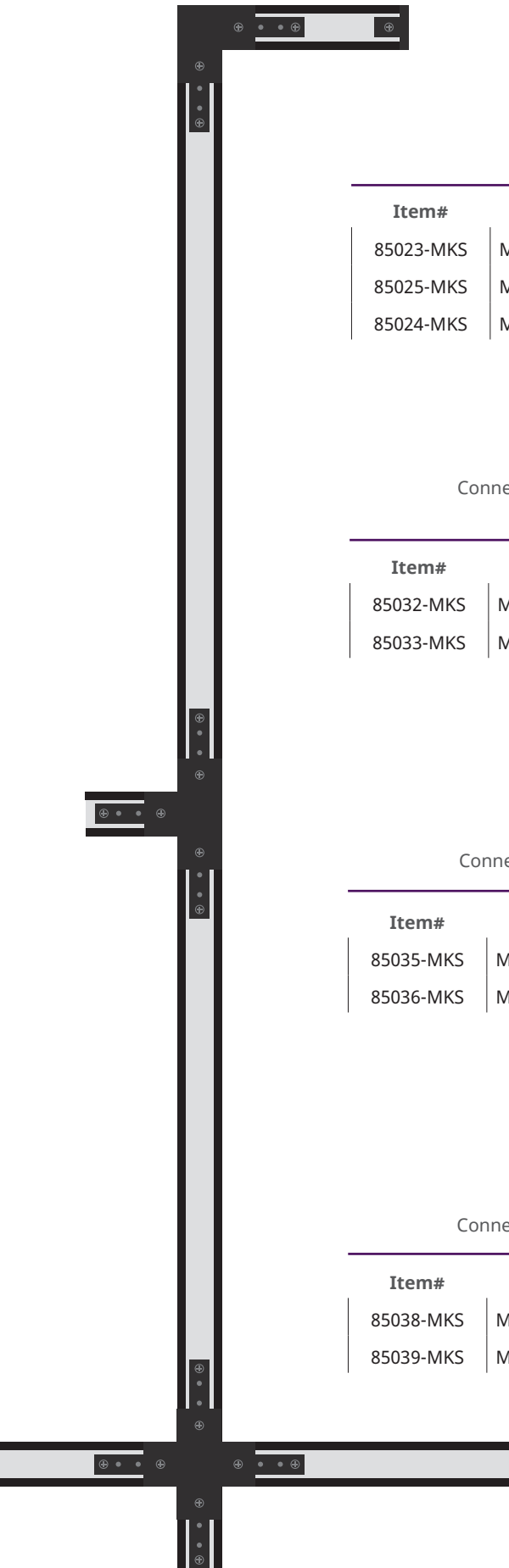
Flexible Connector with Power Feed



Connects two track sections at any angle. (up to 90 degrees)

Item#	Description	Color	Size
85041-MKS	MKS/TRXA/FC/BK	Black	8" x 1.4"
85042-MKS	MKS/TRXA/FC/WH	White	8" x 1.4"





Cap the end of a track section.

Item#	Description	Color	Size
85023-MKS	MKS/TRXA/EC/BK	Black	1.4" x 0.6"
85025-MKS	MKS/TRXA/EC/SL	Silver	1.4" x 0.6"
85024-MKS	MKS/TRXA/EC/WH	White	1.4" x 0.6"

End Cap Connector



Connects two track sections into an "L" configuration.
(right angle)

Item#	Description	Color	Size
85032-MKS	MKS/TRXA/LC/BK	Black	4.2" x 4.2"
85033-MKS	MKS/TRXA/LC/WH	White	4.2" x 4.2"

"L" Connector with Power Feed



Connects three track sections into a "T" configuration

Item#	Description	Color	Size
85035-MKS	MKS/TRXA/TC/BK	Black	7" x 4.2"
85036-MKS	MKS/TRXA/TC/WH	White	7" x 4.2"

"T" Connector with Power Feed



Connects four track sections into an "X" configuration

Item#	Description	Color	Size
85038-MKS	MKS/TRXA/XC/BK	Black	7" x 7"
85039-MKS	MKS/TRXA/XC/WH	White	7" x 7"

"X" Connector with Power Feed





info@MKSLED.com

Tel: 212.590.0131

104 Halleck St., Brooklyn, NY 11231

MKSLED.com

0122 V 1.0